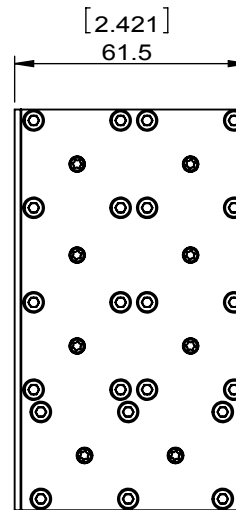
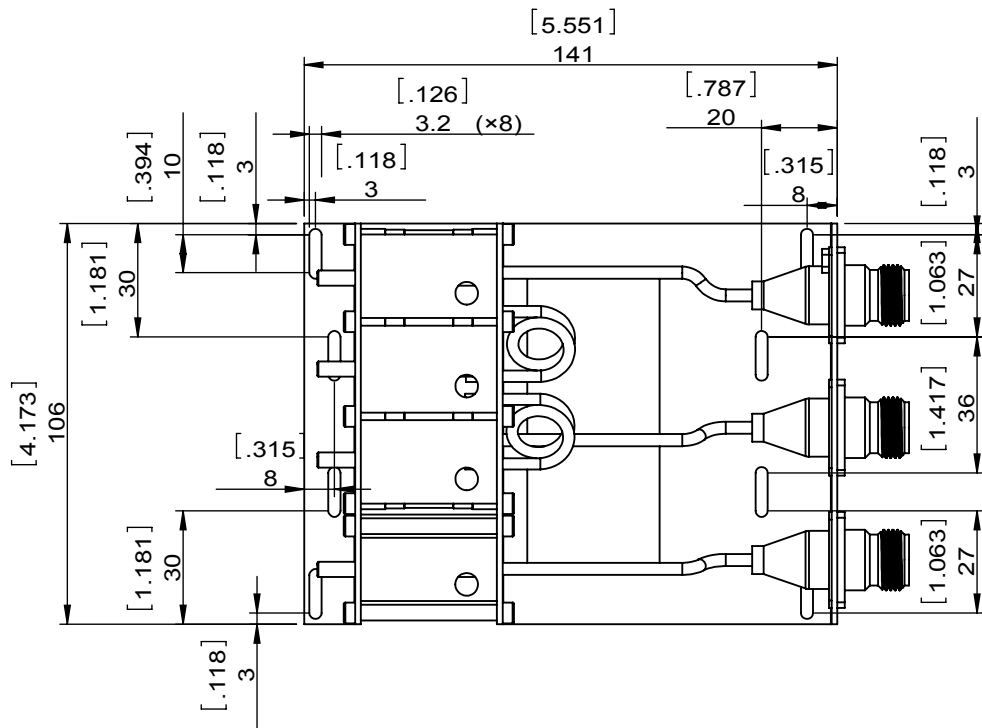
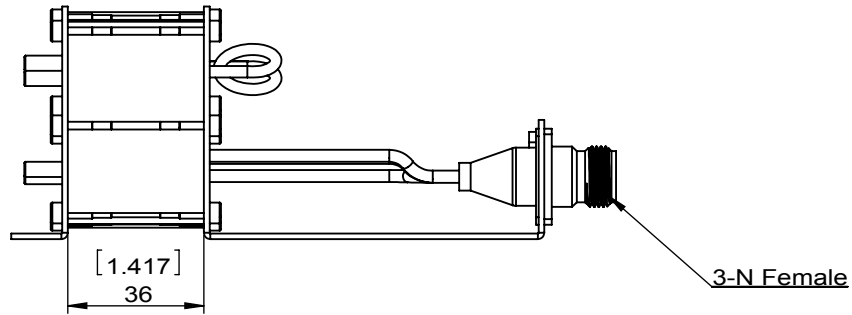


1		2		3		4		5		6	
Document No. QR4-700-T-003		REV. A/0		REV. 0		DESCRIPTION		REVISOR ZQ.H		DATE 02.06.2015	
										APPROVED David	



ITEM	SPECIFICATIONS	
	TX	RX
Frequency A(MHz)	380~395	406~410
Insertion Loss(dB)	1.5 Max 1.0 Typ	
Return Loss(dB)	14 Min	
Attenuation in stopband(dB)	60 Min	
Power Rating(W)	50	
Impedance(Ω)	50	
Temperature(°C)	-30 to +60	
Frequency Stability	Approx.4.5ppm/°C	
Connector	N-Female	
Notes		

JQL JQL Electronic Inc

MATERIAL:	DWG NO: JFCD0380T0410NF-B			
SURFACE TREATMENT: PAINTED BLACK	DWG BY:	ZQ.H	02.06.2015	SCALE
DESCRIPTION: DUPLEXER	CHK'D BY:			1:2
	APP'V'D BY:			
	Unit: mm[inch]	Tolerance: Liner: ±0.25 Anguar: ±0.5°	The First:	A4



This document is the property of JQL Electronic Inc. It cannot be copied, duplicated, used for manufacturing purposes or communicated to third party as a whole or partly, without the written consent of JQL Electronic Inc.