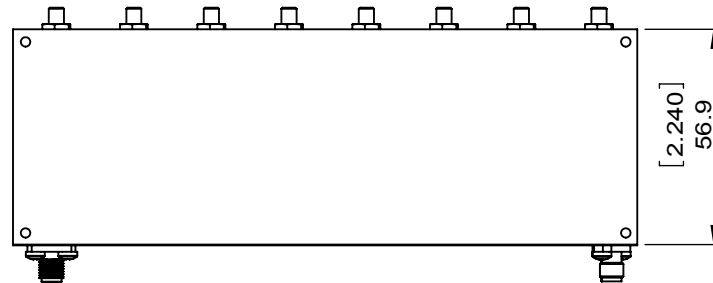
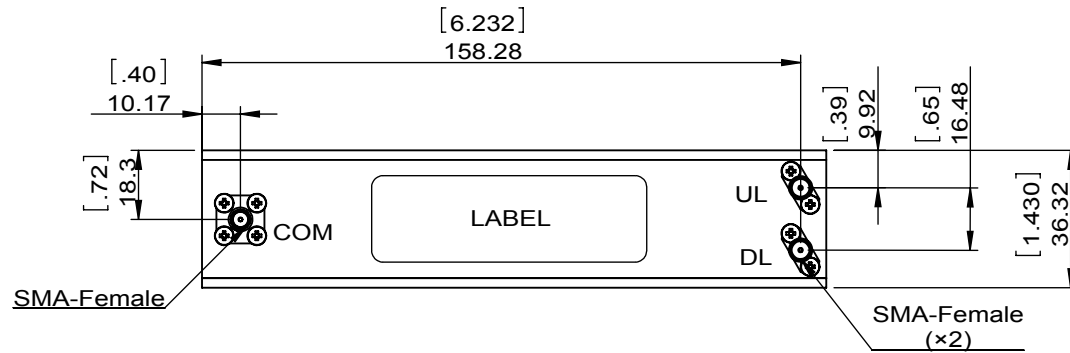
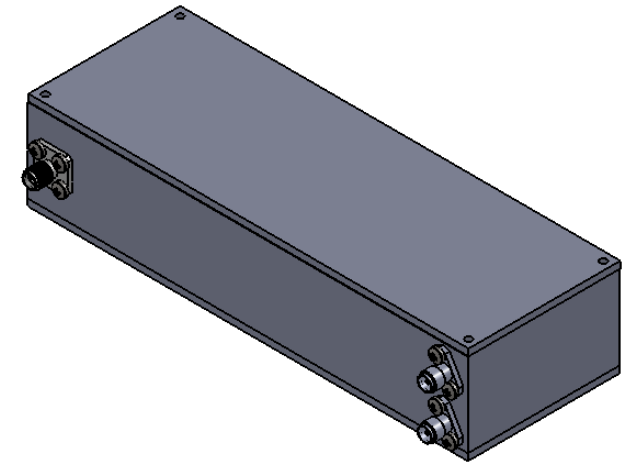
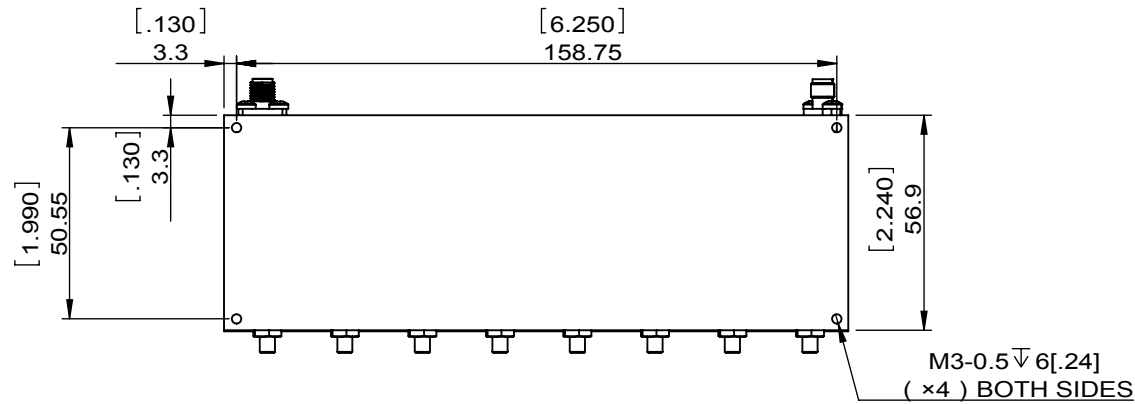


1		2		3		4		5		6	
Document No.	QR4-700-T-003	REV.	A/0	REV.	DESCRIPTION	REVISOR	DATE	APPROVED			
		0				LJ.Zhang	05.04.2014	David			



<b>JQL</b> JQL Electronic Inc		3501 Algonquin Road, Ste 230 1(888) 236-9828		Rolling Meadows, IL 60008 (630) 823-2902	
<b>MATERIAL:</b> -		<b>DWG NO:</b> JFCD0880T0960SF			
<b>SURFACE TREATMENT:</b> GRAY PAINTED		DWG BY:	LJ.Zhang	05.04.2014	SACLE
<b>DESCRIPTION:</b> DUPLXER		CHK'D BY:			
		APP'V'D BY:			1:2
		Unit: mm[inch]	Tolerance: Liner: ±0.25 Anguar: ±0.5°	The First:	A4



This document is the property of JQL Electronic Inc. It cannot be copied, duplicated, used for manufacturing purposes or communicated to third party as a whole or partly, without the written consent of JQL Electronic Inc.

1		2		3		4		5		6	
Document No.	QR4-700-T-003					REV.	DESCRIPTION	REVISOR	DATE	APPROVED	
REV.	A/0					0		LJ.Zhang	05.04.2014	David	

ITEM	SPECIFICATIONS	
Frequency Range (MHz)	Uplink	Downlink
	880~915	925~960
Insertion Loss(dB)	1.1 Max, 1.0 Typ@F0	1.1 Max, 1.0 Typ@F0
Passband Insertion Loss(dB)	2.6 Max, 2.4 Typ	2.6 Max, 2.4 Typ
Passband Ripple(dB)	1.5 Typ	1.5 Typ
Attenuation(dB)	65 Min, 70 Typ @925MHz~960MHz	65 Min ,70 Typ @880MHz~915MHz
Passband Return Loss(dB)	17 Min	
RF Power Capability(Watt)	10 CW average	
Operating Temperature(°C)	-30~+85	
RF Connector	SMA Female	
Dimension(Inch)	6.5×2.24×1.43	
Weight(Kg)	0.5	

<b>JQL</b> <b>JQL Electronic Inc</b>		3501 Algonquin Road, Ste 230 1(888) 236-9828 Rolling Meadows, IL 60008 (630) 823-2902	
<b>MATERIAL:</b>	<b>DWG NO:</b> JFCD0880T0960SF		
<b>SURFACE TREATMENT:</b> GRAY PAINTED	DWG BY:	LJ.Zhang	2014/5/4
	CHK'D BY:		
<b>DESCRIPTION:</b> DUPLXER	APPV'D BY:		1:2
	Unit:	Tolerance:	The First:
	mm[inch]	Liner: ±0.25 Anguar: ±0.5°	
			A4



This document is the property of JQL Electronic Inc.  
It cannot be copied, duplicated, used for manufacturing purposes  
or communicated to third party as a whole or partly,  
without the written consent of JQL Electronic Inc.