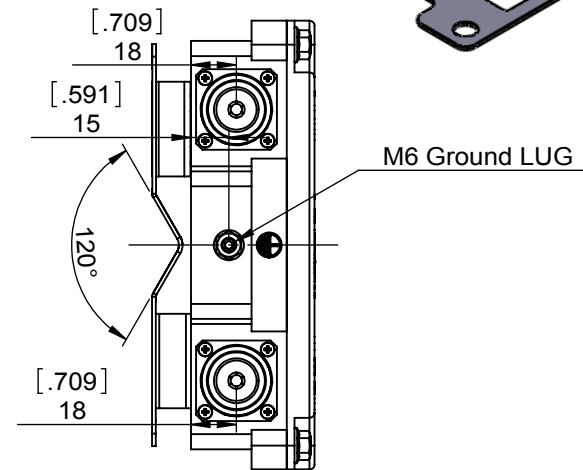
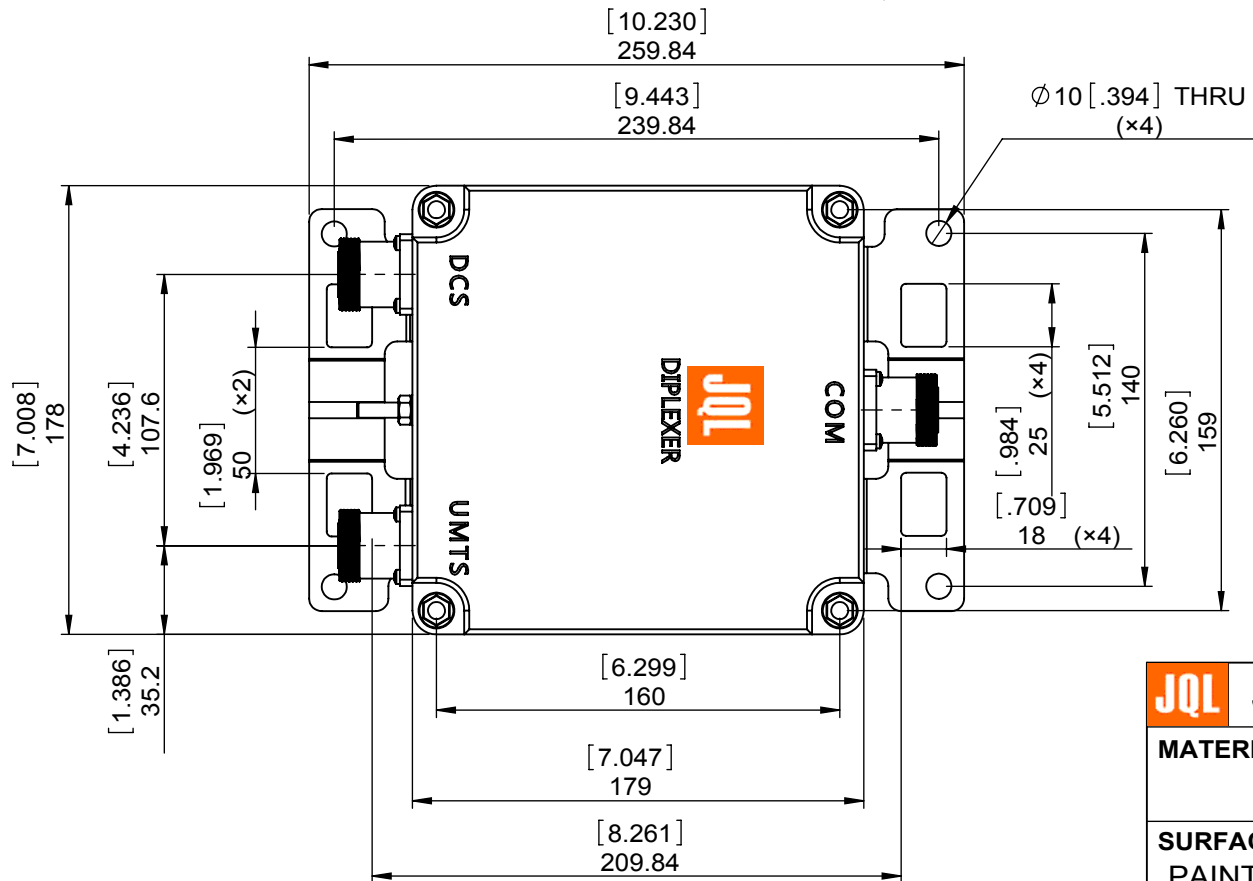
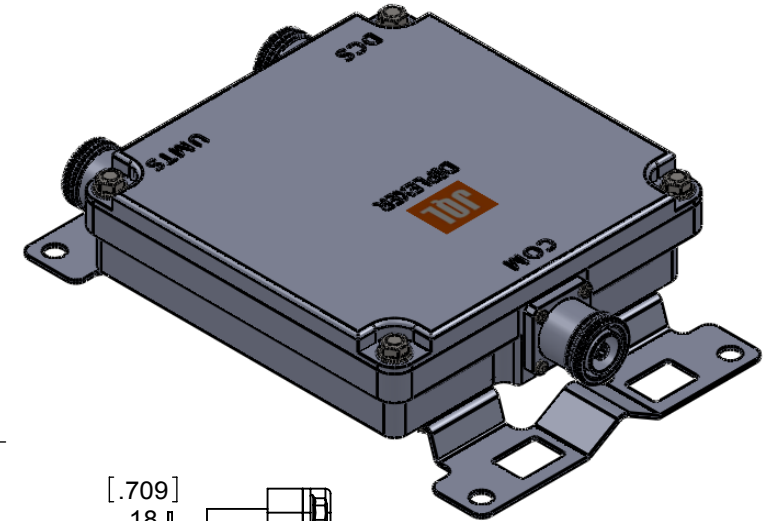
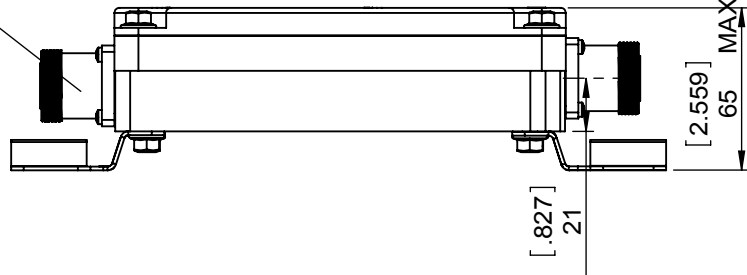


1		2		3		4		5		6			
Document No.	QR4-700-T-003	REV.	A/0	REV.	0	DESCRIPTION		REVISOR	ywzhang	DATE	05.28.2014	APPROVED	David

DIN 7/16 Female  
(x3)




This document is the property of JQL Electronic Inc. It cannot be copied, duplicated, used for manufacturing purposes or communicated to third party as a whole or partly, without the written consent of JQL Electronic Inc.

<b>JQL</b> JQL Electronic Inc		3501 Algonquin Road, Ste 230 Rolling Meadows, IL 60008		1(888) 236-9828 (630) 823-2902	
<b>MATERIAL:</b>		<b>DWG NO:</b> JFCD1710T2170DF			
<b>SURFACE TREATMENT:</b> PAINTED GRAY		DWG BY:	ywzhang	05.28.2014	SACLE
<b>DESCRIPTION:</b> DIPLEXER		CHK'D BY:			1:3
		APPV'D BY:			
		Unit:	Tolerance:	The First:	
		mm[inch]	Liner: ±0.25 Anguar: ±0.5°		
				A4	

1		2		3		4		5		6	
Document No.	QR4-700-T-003					REV.	DESCRIPTION	REVISOR	DATE	APPROVED	
REV.	A/0					0		ywzhang	05.26.2014	David	

ITEM	SPECIFICATIONS	
Passband (MHz)	DCS	UMTS
	1710~1880	1920~2170
Insertion Loss(dB)	0.3 typ/0.5 max	
Isolation(dB)	55 typ/50 min	
Return Loss(dB)	18 min	
Power Rating(W)	250 avg	
Impedance( $\Omega$ )	50	
Intermod. PIM IM3(dBc)	150 min with 2x+43dBm tones into common Port	
Environment	-40°C to +60°C,IP67	
Surge Protection	5 kA using 8/20 $\mu$ s pulse	
Connector	DIN 7/16 Female	
Notes		

<b>JQL</b> JQL Electronic Inc		3501 Algonquin Road, Ste 230 1(888) 236-9828 Rolling Meadows, IL 60008 (630) 823-2902	
<b>MATERIAL:</b>	<b>DWG NO:</b> JFCD1710T2170DF		
<b>SURFACE TREATMENT:</b> PAINTED GRAY	DWG BY:	ywzhang	05.26.2014
	CHK'D BY:		
<b>DESCRIPTION:</b> DIPLEXER	APPV'D BY:		1:3
	Unit: mm[inch]	Tolerance: Liner: $\pm 0.25$ Anguar: $\pm 0.5^\circ$	The First: 
			A4



This document is the property of JQL Electronic Inc.  
It cannot be copied, duplicated, used for manufacturing purposes  
or communicated to third party as a whole or partly,  
without the written consent of JQL Electronic Inc.