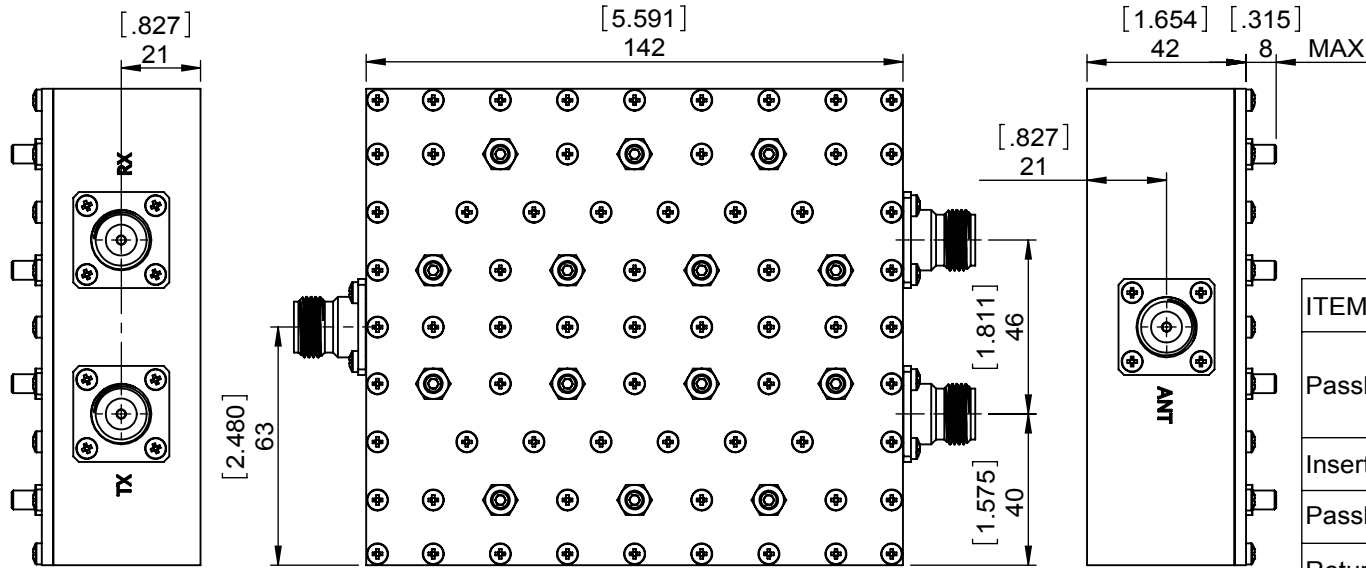
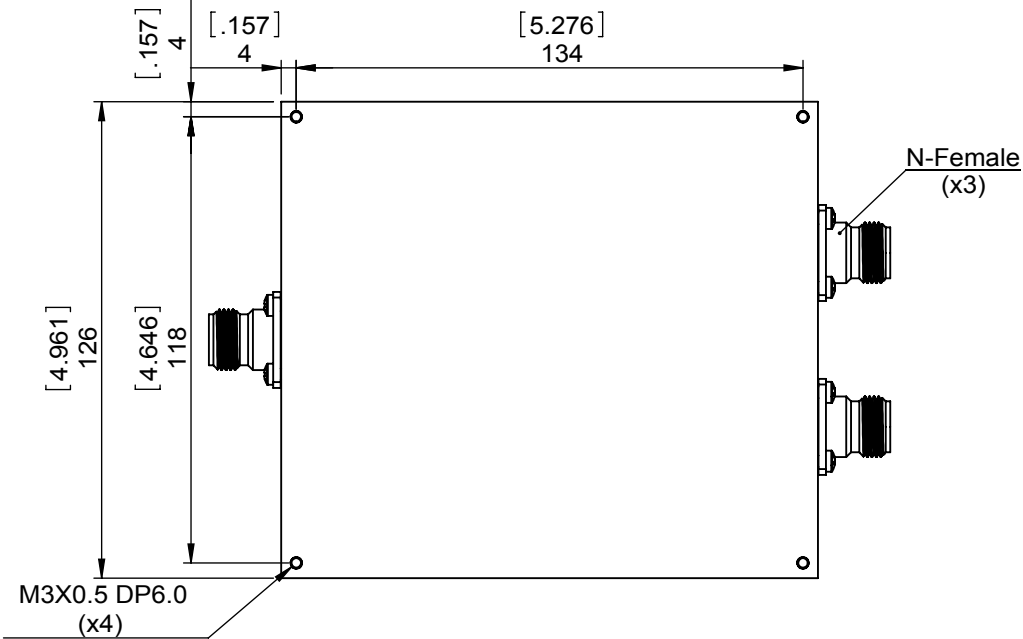


1		2		3		4		5		6			
Document No.	QR4-700-T-003	REV.	A/0	REV.	0	DESCRIPTION		REVISOR	ywzhang	DATE	05.29.2014	APPROVED	David



ITEM	SPECIFICATIONS	
	Rx	Tx
Passband(MHz)	1850-1910	1930-1990
Insertion Loss(dB)	1.0 max	
Passband Ripple(dB)	0.8 max	
Return Loss(dB)	18 min	
Isolation(dB)	65 min	
PIM(dBc)	150 min ( 2*43dBm at downlink band )	
Power Handling(W)	60 avg	
Temperature(°C)	-30 to +80	
Impedance(Ω)	50	
Connector	N-Female	
Notes		



This document is the property of JQL Electronic Inc. It cannot be copied, duplicated, used for manufacturing purposes or communicated to third party as a whole or partly, without the written consent of JQL Electronic Inc.

**JQL JQL Electronic Inc** 3501 Algonquin Road, Ste 230 1(888) 236-9828  
 Rolling Meadows, IL 60008 (630) 823-2902

<b>MATERIAL:</b>	<b>DWG NO:</b> JFCD1850T1990NF		
<b>SURFACE TREATMENT:</b> PAINTED BLACK	DWG BY:	ywzhang	05.29.2014
<b>DESCRIPTION:</b> DIPLEXER	CHK'D BY:		SACLE
	APPV'D BY:		1:2
	Unit: mm[inch]	Tolerance: Liner: ±0.25 Anguar: ±0.5°	The First: A4