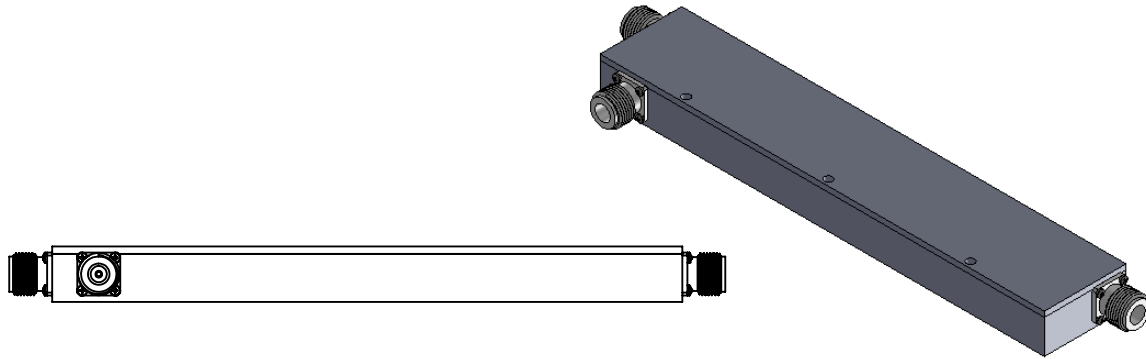


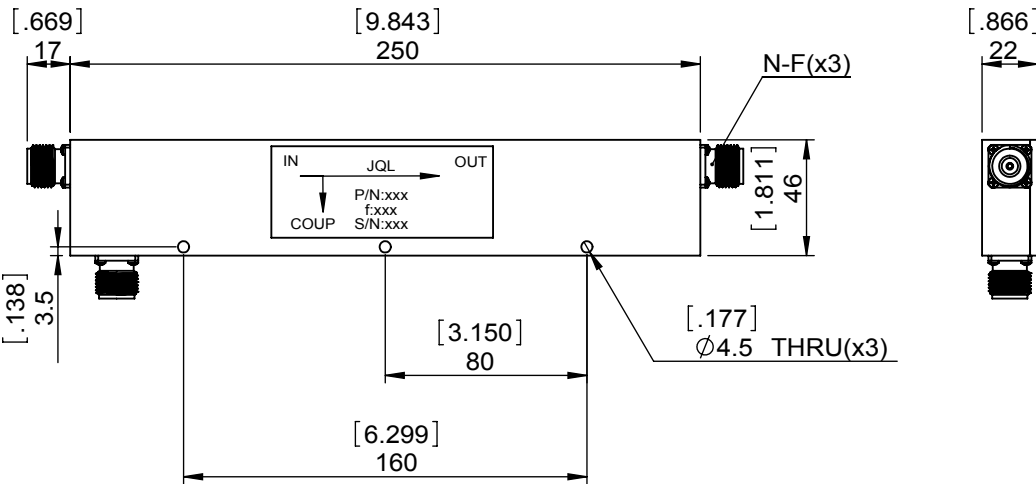
Document No.	QR4-700-T-003
REV.	A/0

REV.	DESCRIPTION	REVISOR	DATE	APPROVED
0		M.Hao	02.17.2014	David



SPECIFICATIONS

Part's Number	JFCDC0380T3600NF20
Frequency(MHz)	380~3600
Insertion Loss (dB)MAX	0.3
Coupling Attenuation(dB)	20±2
VSWR MAX.	1.3
Average Power (Watte)	200
PIM.(dBc)MAX	-140@2x43dBm
Impedance(Ω)	50
CONNECTOR	N-F
Operation Temperature (°C)	-35~+75
Storage Temperature(°C)	-40~+85
Relative Humidity	0~95%
Additional Notes	-



JQL JQL Electronic Inc 500 Lake Cook Road, Suite 350 Deerfield, IL 60015, USA Tel: 1(888)236-9828 Fax: 1(888)823-2902

MATERIAL:	DWG NO: JFCDC0380T3600NF20			
SURFACE TREATMENT: PAINTED BLACK	DWG BY:	M.Hao	02.17.2014	SACLE
	CHK'D BY:			
DESCRIPTION: DIRECTIONAL COUPLER	APPV'D BY:			1:3
	Unit: mm[inch]	Tolerance: Liner: ±0.25 Anguar: ±0.5°	The First:	A4



This document is the property of JQL Electronic Inc. It cannot be copied, duplicated, used for manufacturing purposes or communicated to third party as a whole or partly, without the written consent of JQL Electronic Inc.