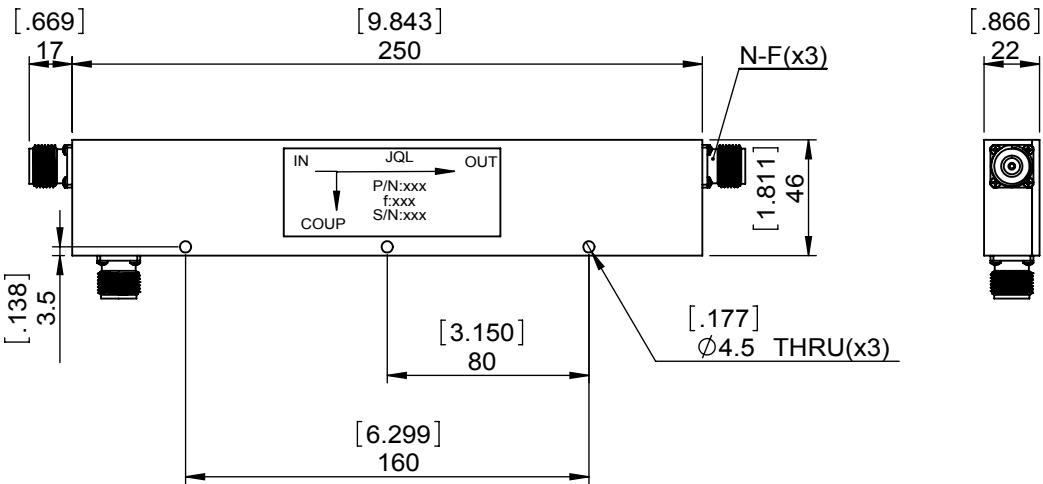
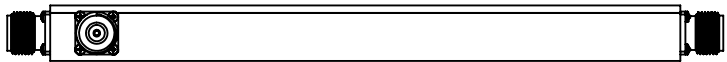
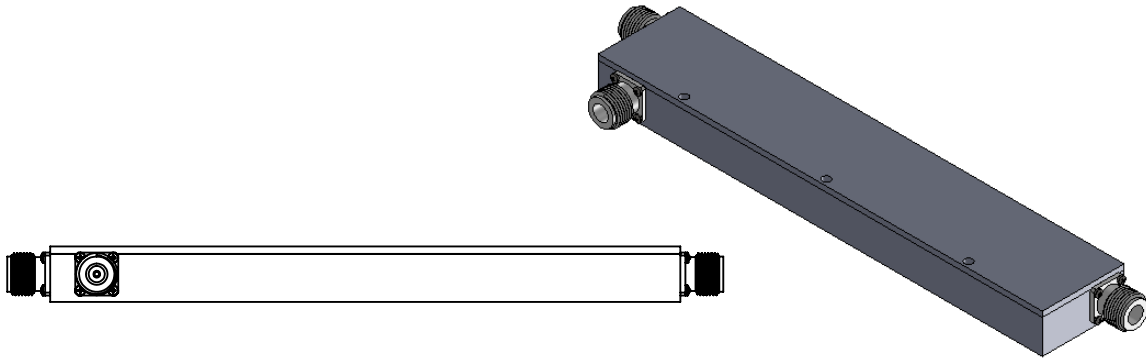


1		2		3		4		5		6			
Document No.	QR4-700-T-003	REV.	A/0	REV.	0	DESCRIPTION		REVISOR	M.Hao	DATE	02.17.2014	APPROVED	David



SPECIFICATIONS	
Part's Number	JFCDC0380T3600NF6
Frequency(MHz)	380~3600
Insertion Loss (dB)MAX	2.0
Coupling Attenuation(dB)	6±1.2
VSWR MAX.	1.3
Average Power (Watte)	200
PIM.(dBc)MAX	-140@2x43dBm
Impedance(Ω)	50
CONNECTOR	N-F
Operation Temperature (°C)	-35~+75
Storage Temperature(°C)	-40~+85
Relative Humidity	0~95%
Additional Notes	-

JQL JQL Electronic Inc 500 Lake Cook Road, Suite 350 Deerfield, IL 60015, USA Tel: 1(888)236-9828 Fax: 1(888)823-2902

MATERIAL:	DWG NO: JFCDC0380T3600NF6			
SURFACE TREATMENT: PAINTED BLACK	DWG BY:	M.Hao	02.17.2014	SACLE
	CHK'D BY:			
DESCRIPTION: DIRECTIONAL COUPLER	APPV'D BY:			1:3
	Unit:	Tolerance:	The First:	A4
	mm[inch]	Liner: ±0.25 Anguar: ±0.5°		



This document is the property of JQL Electronic Inc. It cannot be copied, duplicated, used for manufacturing purposes or communicated to third party as a whole or partly, without the written consent of JQL Electronic Inc.