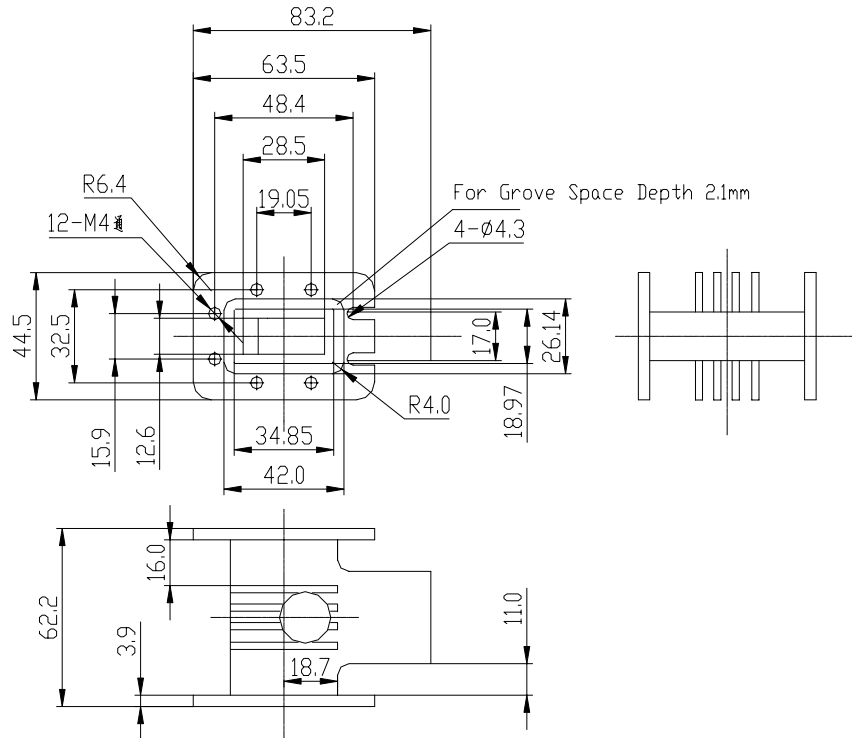


## 7.25~8.4 GHz HIGH POWER WAVEUIDE ISOLATOR CPR112 FLANGE WITH GROVE SPACE



	LENGTH	WIDTH	HEIGHT	TOLERANCE
mm	44.5	83.2	62.2	±0.1
inch	1.75	3.28	2.45	±0.01

SPECIFICATION DETAILS							
F1~F2 GHz	MODEL NUMBER	Waveguide Type	ISOLATION dB Typ/Min	INS LOSS dB Tpy/ Max	VSWR Typ/Max	PWR (W) FWD/REV	OPERATING TEMP °C
	7.25~8.4	JICPR112-62C- 7250T8400-HP	CPR112	20/20	0.4/0.4	1.25:1/1.25:1	250/25

SPECIFICATION MAY BE SUBJECT TO CHANGE