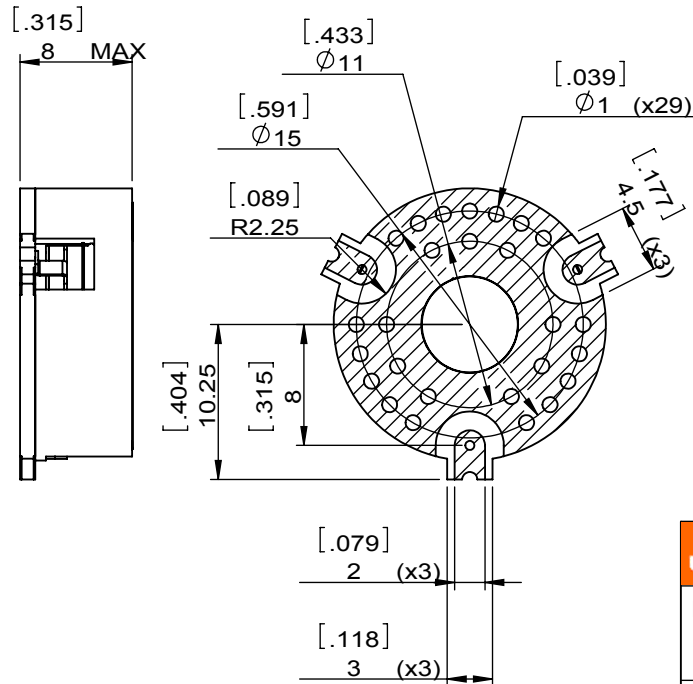
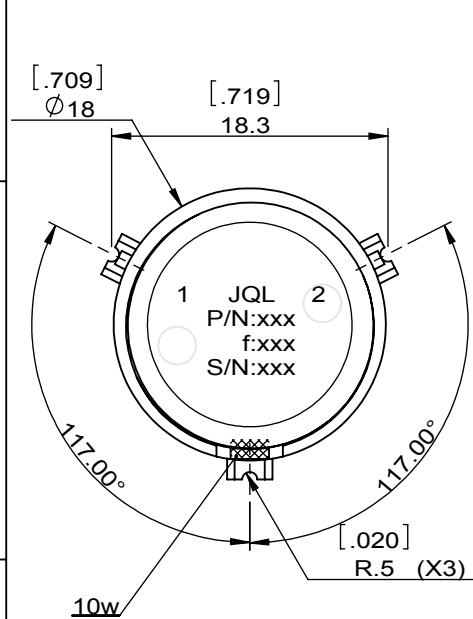
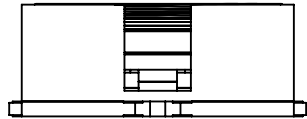
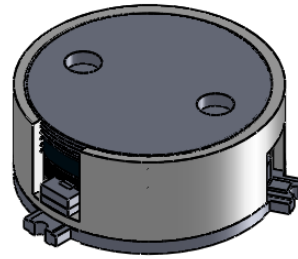


1	2
Document No.	QR4-700-T-003
REV.	A/0

3	4	5	6
REV.	DESCRIPTION	REVISOR	DATE
0		ZC.Wu	06.09.2015
			APPROVED
			David



SPECIFICATIONS	
Part's Number	JIM1805T1880S1R
Frequency(GHz)	1.805~1.880
Direction	CW
Insertion Loss(dB)MAX	0.25
Isolation(dB)MIN	22.0
Return Loss(dB)MIN	20.0
3rd IMD(dBc)MAX	-75 @ 2X43dBm 5MHz Spacing
Power FWD/REV/PK(Watt)	100/5/-
Operating Temperature(°C)	-40~+85
Storage Temperature(°C)	-
2nd/3rd Harmonic(dBc)	-
Termination/Attenuator(Watt/dB)	10
Tab(W×LG×THK)(mm[Inch])	-
Additional Notes	-

JQL JQL Electronic Inc	
MATERIAL: STEEL	DWG NO: JIM1805T1880S1R
SURFACE TREATMENT: NICKEL PLATING	DWG BY: ZC.Wu 06.09.2015 SCALE
DESCRIPTION: SMT ISOLATOR	CHK'D BY: APPV'D BY: Unit: mm[inch] Tolerance: Liner: ±0.25 Anguar: ±0.5°
	The First: 2:1 A4



This document is the property of JQL Electronic Inc. It cannot be copied, duplicated, used for manufacturing purposes or communicated to third party as a whole or partly, without the written consent of JQL Electronic Inc.