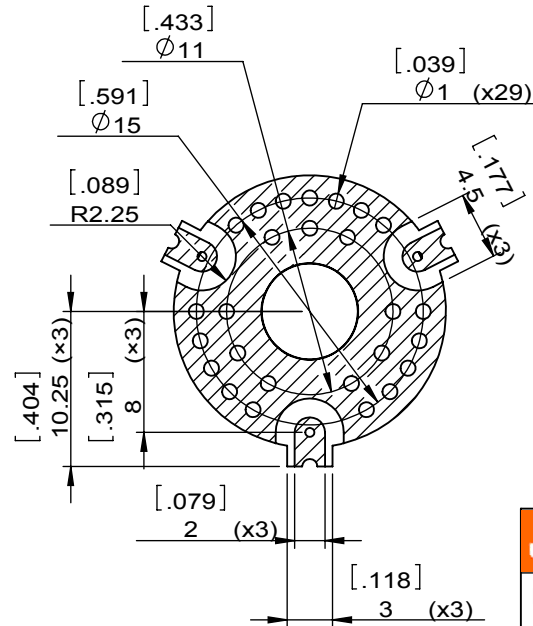
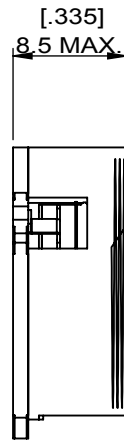
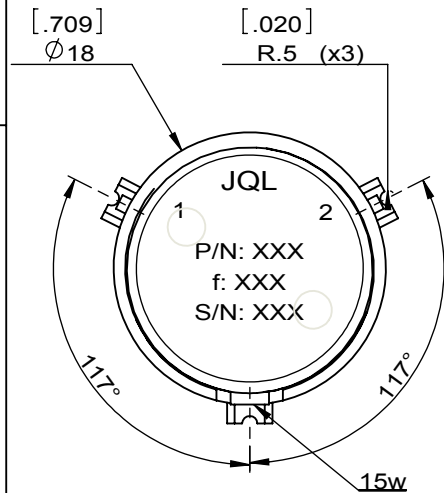
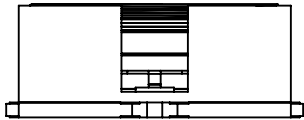
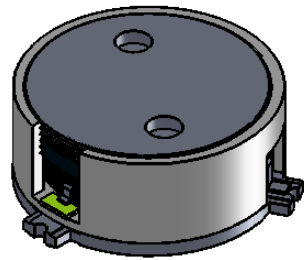


| | |
|--------------|---------------|
| 1 | 2 |
| Document No. | QR4-700-T-003 |
| REV. | A/0 |

| 3 | 4 | 5 | 6 | |
|------|-------------|---------|------------|----------|
| REV. | DESCRIPTION | REVISOR | DATE | APPROVED |
| 0 | | ZC.Wu | 03.04.2015 | David |



| SPECIFICATIONS | |
|---|-----------------|
| Part's Number | JIM3100T3500S1R |
| Frequency(GHz) | 3.100~3.500 |
| Direction | CW |
| Insertion Loss(dB)MAX | 0.35 |
| Isolation(dB)MIN | 21.0 |
| Return Loss(dB)MIN | 20.0 |
| 3rd IMD(dBc)MAX | - |
| Power FWD/REV/PK(Watt) | 60/5/- |
| Operating Temperature($^\circ\text{C}$) | -40~+85 |
| Storage Temperature($^\circ\text{C}$) | - |
| 2nd/3rd Harmonic(dBc) | - |
| Termination/Attenuator(Watt/dB) | 15W |
| Tab(W×LG×THK)(mm[Inch]) | - |
| Additional Notes | - |

| | | | | |
|---|--|-----------------------------------|--|----------------|
| JQL JQL Electronic Inc | | | | |
| MATERIAL: STEEL | | DWG NO: JIM3100T3500S1R | | |
| SURFACE TREATMENT: NICKEL PLATING | | DWG BY: | ZC.Wu | 03.04.2015 |
| DESCRIPTION: SMT ISOLATOR | | CHK'D BY: | | SCALE |
| | | APPV'D BY: | | 2:1 |
| | | Unit: mm[inch] | Tolerance: Liner: ± 0.25 Anguar: $\pm 0.5^\circ$ | The First: |
| | | | | A4 |



This document is the property of JQL Electronic Inc. It cannot be copied, duplicated, used for manufacturing purposes or communicated to third party as a whole or partly, without the written consent of JQL Electronic Inc.