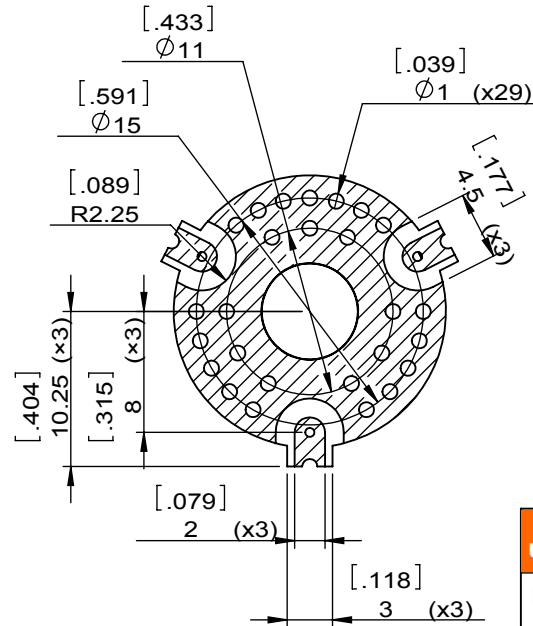
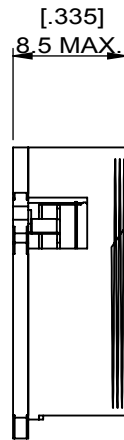
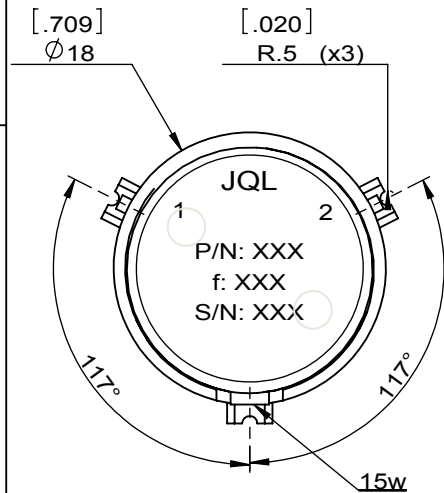
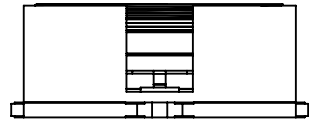
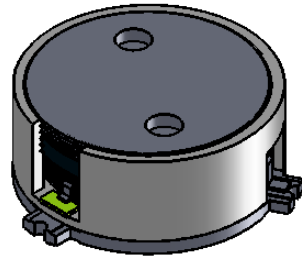


1	2
Document No.	QR4-700-T-003
REV.	A/0

3	4	5	6	
REV.	DESCRIPTION	REVISOR	DATE	APPROVED
0		ZC.Wu	03.04.2015	David



SPECIFICATIONS

Part's Number	JIM3200T3400S1R
Frequency(GHz)	3.200~3.400
Direction	CW
Insertion Loss(dB)MAX	0.35
Isolation(dB)MIN	21.0
Return Loss(dB)MIN	20.0
3rd IMD(dBc)MAX	-
Power FWD/REV/PK(Watt)	60/5/-
Operating Temperature($^\circ\text{C}$)	-40~+85
Storage Temperature($^\circ\text{C}$)	-
2nd/3rd Harmonic(dBc)	-
Termination/Attenuator(Watt/dB)	15W
Tab(W \times LG \times THK)(mm[Inch])	-
Additional Notes	-

JQL JQL Electronic Inc

MATERIAL: STEEL	DWG NO: JIM3200T3400S1R			
SURFACE TREATMENT: NICKEL PLATING	DWG BY:	ZC.Wu	03.04.2015	SCALE
	CHK'D BY:			
DESCRIPTION: SMT ISOLATOR	APPV'D BY:			2:1
	Unit: mm[inch]	Tolerance: Liner: ± 0.25 Anguar: $\pm 0.5^\circ$	The First:	A4



This document is the property of JQL Electronic Inc. It cannot be copied, duplicated, used for manufacturing purposes or communicated to third party as a whole or partly, without the written consent of JQL Electronic Inc.