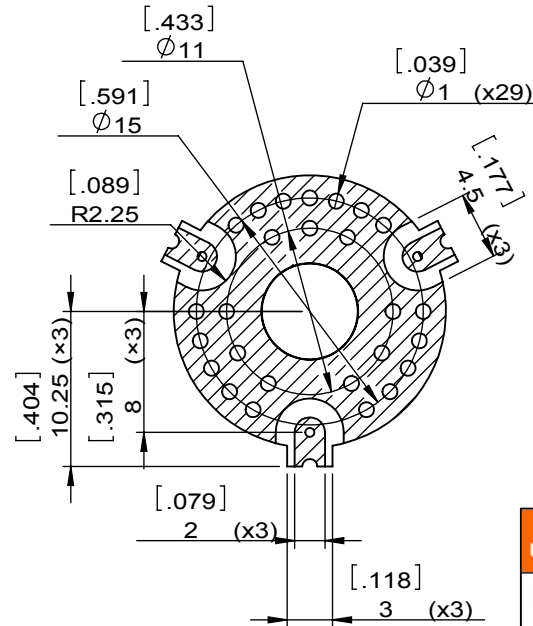
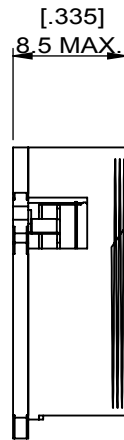
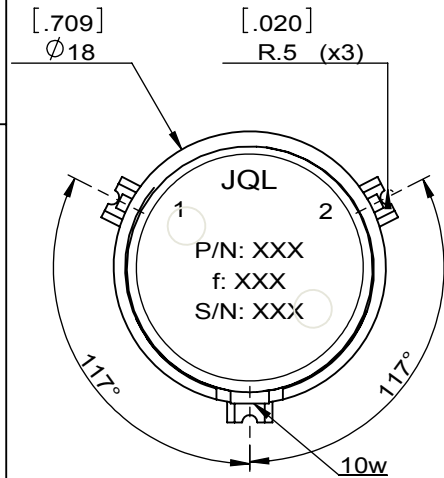
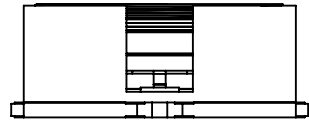
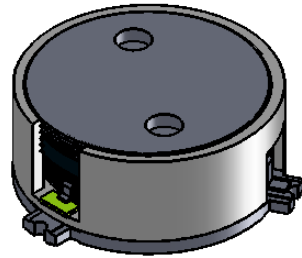


1	2
Document No.	QR4-700-T-003
REV.	A/0

3	4	5	6	
REV.	DESCRIPTION	REVISOR	DATE	APPROVED
0		YQ.XIE	08.13.2015	David



SPECIFICATIONS	
Part's Number	JIM3400T3600S1R
Frequency(GHz)	3.400~3.600
Direction	CW
Insertion Loss(dB)MAX	0.30
Isolation(dB)MIN	21.0
Return Loss(dB)MIN	20.0
3rd IMD(dBc)MAX	-
Power FWD/REV/PK(Watt)	60/10/-
Operating Temperature($^\circ\text{C}$)	-30~+75
Storage Temperature($^\circ\text{C}$)	-
2nd/3rd Harmonic(dBc)	-
Termination/Attenuator(Watt/dB)	10W
Tab(W \times LG \times THK)(mm[Inch])	-
Additional Notes	-

JQL JQL Electronic Inc					
MATERIAL: STEEL		DWG NO: JIM3400T3600S1R			
SURFACE TREATMENT: NICKEL PLATING		DWG BY:	YQ.XIE	08.13.2015	SCALE
DESCRIPTION: SMT ISOLATOR		CHK'D BY:			2:1
		APPV'D BY:			
		Unit: mm[inch]	Tolerance: Liner: ± 0.25 Anguar: $\pm 0.5^\circ$	The First:	A4



This document is the property of JQL Electronic Inc. It cannot be copied, duplicated, used for manufacturing purposes or communicated to third party as a whole or partly, without the written consent of JQL Electronic Inc.