

1 2 3 4 5 6

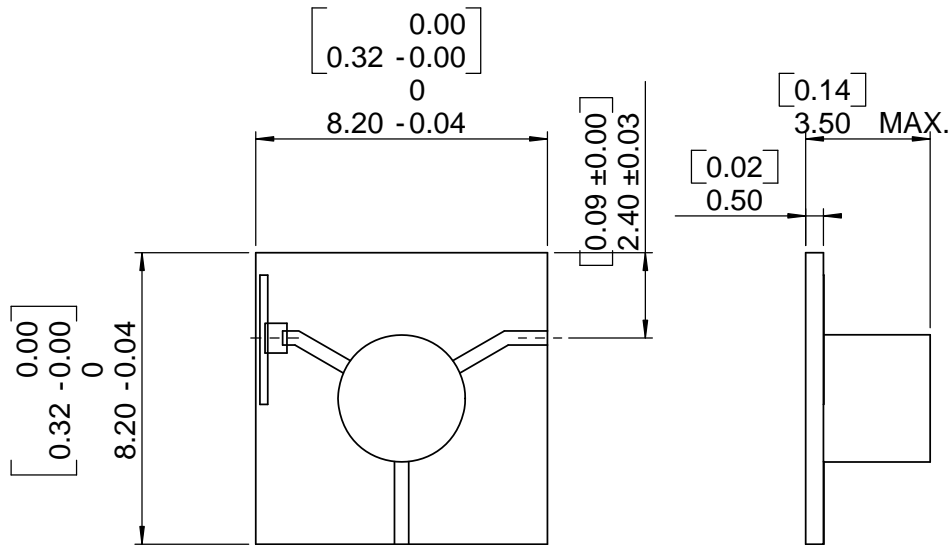
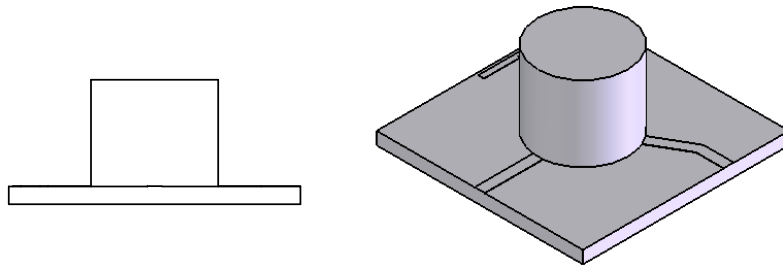
Stock Number

REV.	DESCRIPTION	REVISOR	DATE	APPROVE
0		MH	09.26.11	CH

SPECIFICATION

Part's Number: JIS10K0T11K5G0L
 Frequency: 10.000~11.500GHZ

Direction: CW
 Insertion Loss: 0.5dB MAX.
 Isolation: 20dB MIN.
 VSWR: 1.25:1 MAX.
 Power FWD/REV: 10W/1W
 Temperature: -40C~+85C



This document is the property of JQL Electronic Inc.
 It cannot be copied, duplicated, used for manufacturing purposes
 or communicated to third party as a whole or partly,
 without the written consent of JQL Electronic Inc.

JQL JQL Electronic Inc		500 Lake Cook Road, Suite 350 Deerfield, IL 60015, USA		Tel : 1(888)236-9828 Fax: 1(630)823-2902	
MATERIAL:	DWG NO. JIS10K0T11K5G0L				
SURFACE TREATMENT:					
DESCRIPTION:	Unit: mm		TOLERANCE: Liner: ±0.1mm Angular: ±0.5°	Type Of Projection	SCALE: 1:1
MICROSTRIP ISOLATOR	DWG BY: MH	NAME: MH	DATE: 09.26.11		A4
	CHK'D BY: FW	NAME: FW	DATE: 09.26.11		
	APPVD BY: CH	NAME: CH	DATE: 09.26.11		

1 2 WEIGHT: SHEET 1 OF 1