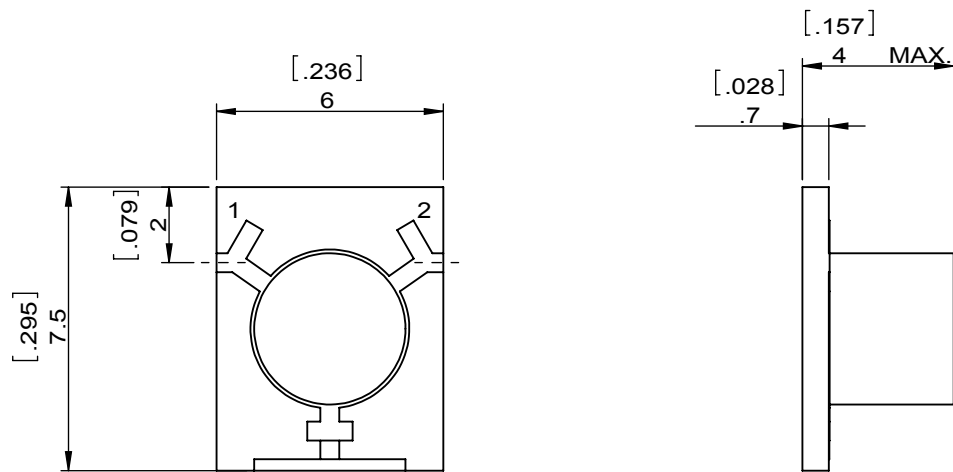
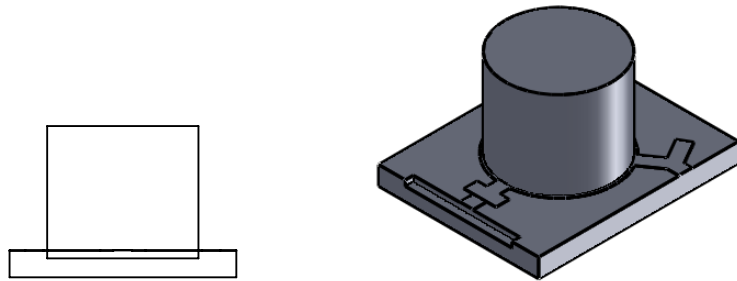


1		2		3		4		5		6	
Document No.	QR4-700-T-003	REV.	A/0	REV.	DESCRIPTION	REVISOR	DATE	APPROVED			
		0		ZC.Wu		04.17.2015		David			



SPECIFICATIONS	
Part's Number	JIS13K2T15K0G0
Frequency(GHz)	13.200~15.000
Direction	-
Insertion Loss(dB)MAX	0.7
Isolation(dB)MIN	16.0
Return Loss(dB)MIN	16.0
3rd IMD(dBc)MAX	-
Power FWD/REV/PK(Watt)	1/0.5/-
Operating Temperature(°C)	-40~+85
Storage Temperature(°C)	-
2nd/3rd Harmonic(dBc)	-
Termination/Attenuator(Watt/dB)	-
Tab(W×LG×THK)(mm[Inch])	-
Additional Notes	-

JQL JQL Electronic Inc				
MATERIAL: AL		DWG NO: JIS13K2T15K0G0		
SURFACE TREATMENT: CHEM FILM		DWG BY:	ZC.Wu	04.17.2015
DESCRIPTION: MICROSTRIP ISOLATOR		CHK'D BY:		SCALE
		APPV'D BY:		5:1
Unit: mm[inch]		Tolerance: Liner: ±0.25 Anguar: ±0.5°		The First:
				A4



This document is the property of JQL Electronic Inc. It cannot be copied, duplicated, used for manufacturing purposes or communicated to third party as a whole or partly, without the written consent of JQL Electronic Inc.