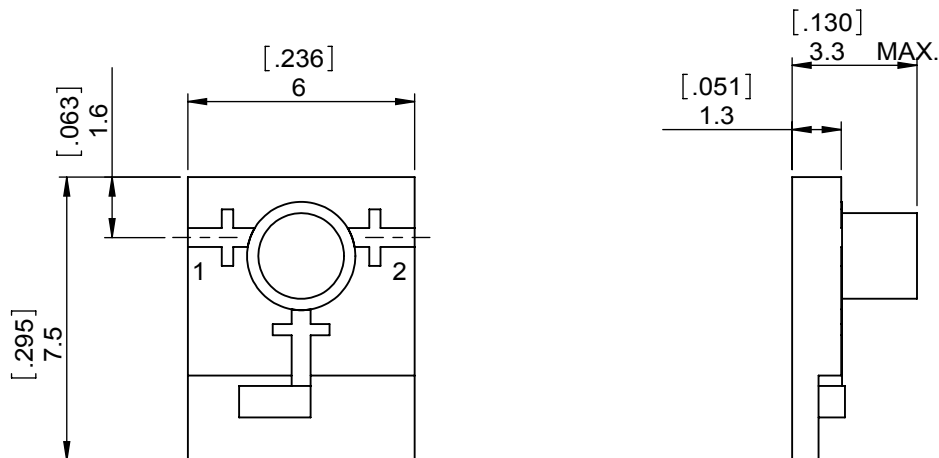
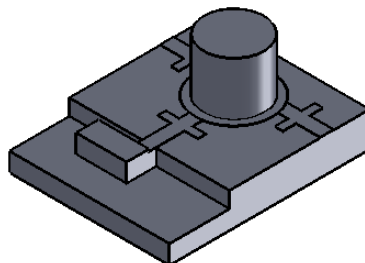
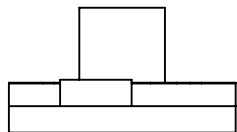


1		2		3		4		5		6	
Document No.	QR4-700-T-003	REV.	A/0	REV.	DESCRIPTION	REVISOR	DATE	APPROVED			
REV.	A/0	0		M.Hao	04.16.2014	David					



SPECIFICATIONS	
Part's Number	JIS15K0T17K5G1
Frequency(GHz)	15.0~17.50
Direction	CW
Insertion Loss(dB)MAX	0.70
Isolation(dB)MIN	17.0
Return Loss(dB)MIN	17.0
3rd IMD(dBc)MAX	-
Power FWD/REV/PK(Watt)	10/10/-
Operating Temperature(°C)	-40~85
Storage Temperature(°C)	-40~85
2nd/3rd Harmonic(dBc)	-
Termination/Attenuator(Watt/dB)	-10
Tab(W×LG×THK)(mm[Inch])	-
Additional Notes	-

JQL JQL Electronic Inc		3501 Algonquin Road, Ste 230 Rolling Meadows, IL 60008		1(888) 236-9828 (630) 823-2902	
MATERIAL:	-	DWG NO: JIS15K0T17K5G1			
SURFACE TREATMENT:	-	DWG BY:	M.Hao	04.16.2014	SACLE
DESCRIPTION:	MICROSTRIP ISOLATOR	CHK'D BY:			
		APPV'D BY:			5:1
		Unit:	mm[inch]	Tolerance:	Liner: ±0.25 Anguar: ±0.5°
				The First:	A4



This document is the property of JQL Electronic Inc. It cannot be copied, duplicated, used for manufacturing purposes or communicated to third party as a whole or partly, without the written consent of JQL Electronic Inc.