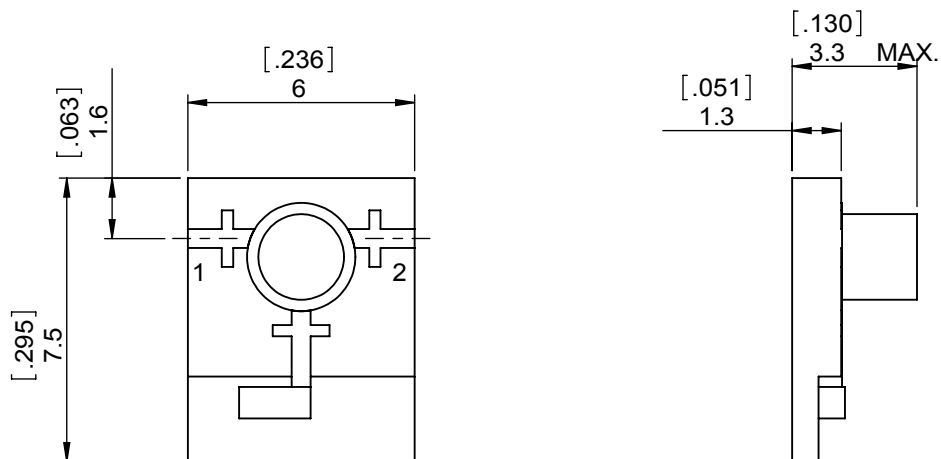
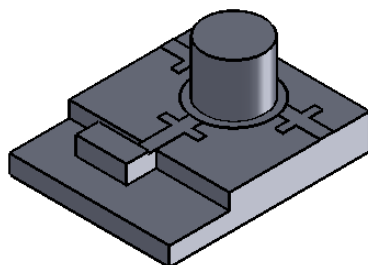
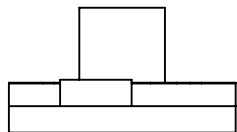


1		2		3		4		5		6	
Document No.		QR4-700-T-003		REV.		DESCRIPTION		REVISOR		DATE	
REV.		A/0		0				M.Hao		04.16.2014	
										APPROVED	
										David	



SPECIFICATIONS	
Part's Number	JIS16K5T17K5G0
Frequency(GHz)	16.50~17.50
Direction	CW
Insertion Loss(dB)MAX	0.60
Isolation(dB)MIN	18.0
Return Loss(dB)MIN	17.0
3rd IMD(dBc)MAX	-
Power FWD/REV/PK(Watt)	1/1/-
Operating Temperature(°C)	-
Storage Temperature(°C)	-
2nd/3rd Harmonic(dBc)	-
Termination/Attenuator(Watt/dB)	-
Tab(W×LG×THK)(mm[Inch])	-
Additional Notes	-

JQL JQL Electronic Inc		3501 Algonquin Road, Ste 230 Rolling Meadows, IL 60008		1(888) 236-9828 (630) 823-2902	
MATERIAL:		DWG NO:			
-		JIS16K5T17K5G0			
SURFACE TREATMENT:		DWG BY:		SACLE	
-		M.Hao		04.16.2014	
DESCRIPTION:		CHK'D BY:		APPV'D BY:	
MICROSTRIP ISOLATOR					
Unit:		Tolerance:		The First:	
mm[inch]		Liner: ±0.25		5:1	
		Anguar: ±0.5°		A4	



This document is the property of JQL Electronic Inc. It cannot be copied, duplicated, used for manufacturing purposes or communicated to third party as a whole or partly, without the written consent of JQL Electronic Inc.