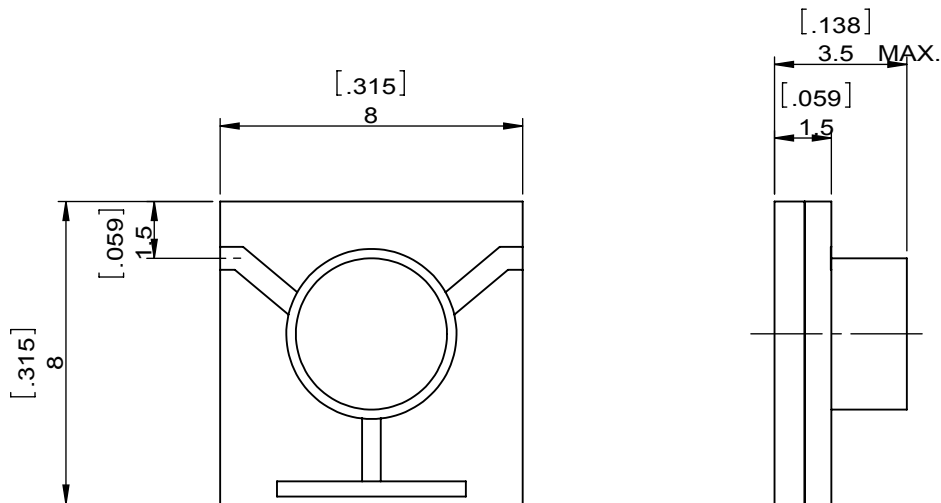


1		2		3		4		5		6	
Document No.	QR4-700-T-003	REV.	A/0	REV.	DESCRIPTION	REVISOR	DATE	APPROVED			
		0		ZC.Wu	09.22.2015	David					



SPECIFICATIONS	
Part's Number	JIS7000T7500G0
Frequency(GHz)	7.000~7.500
Direction	
Insertion Loss(dB)MAX	0.5
Isolation(dB)MIN	20.0
Return Loss(dB)MIN	19.0
3rd IMD(dBc)MAX	
Power FWD/REV/PK(Watt)	5/0.5/-
Operating Temperature(°C)	-40~+85
Storage Temperature(°C)	
2nd/3rd Harmonic(dBc)	-
Termination/Attenuator(Watt/dB)	0.5
Tab(W×LG×THK)(mm[Inch])	
Additional Notes	CONNECTOR TYPE:GWB-

JQL JQL Electronic Inc				
MATERIAL: -		DWG NO: JIS7000T7500G0		
SURFACE TREATMENT: -		DWG BY:	ZC.Wu	09.22.2015
DESCRIPTION: MICROSTRIP ISOLATEOR		CHK'D BY:		
		APPV'D BY:		
Unit:	Tolerance:	The First:		5:1
mm[inch]	Liner: ±0.25 Anguar: ±0.5°			A4



This document is the property of JQL Electronic Inc. It cannot be copied, duplicated, used for manufacturing purposes or communicated to third party as a whole or partly, without the written consent of JQL Electronic Inc.