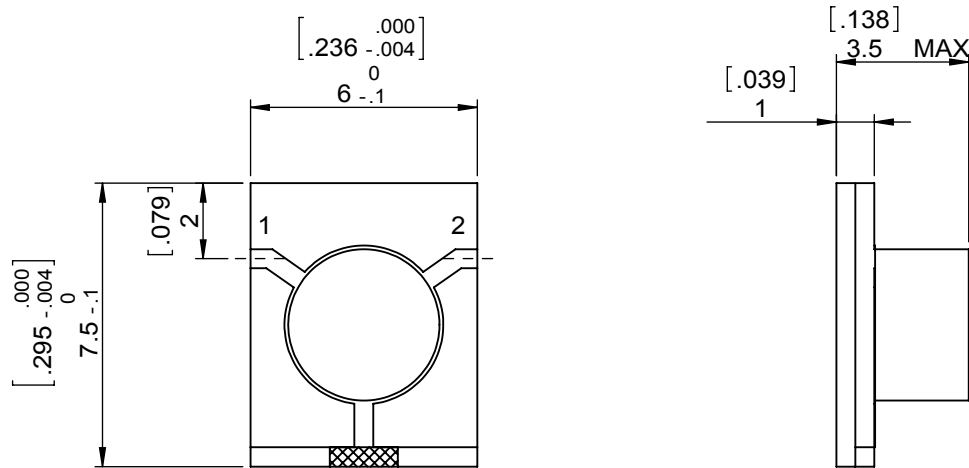
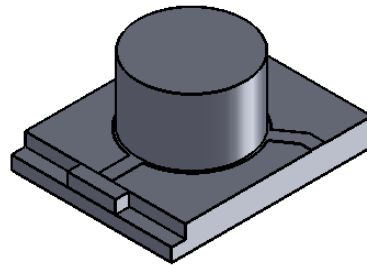
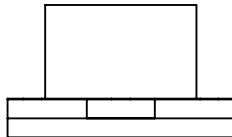


1		2		3		4		5		6	
Document No.	QR4-700-T-003	REV.	DESCRIPTION	REVISOR	DATE	APPROVED					
REV.	A/0	0		M.Hao	02.10.2014	David					



SPECIFICATIONS	
Part's Number	JIS9000T10K0G0
Frequency(GHz)	9.000~10.00
Direction	CW
Insertion Loss(dB)MAX	0.50
Isolation(dB)MIN	20.0@25°C 18.0@-40°C~-75°C
Return Loss(dB)MIN	19.0@25°C 17.7@-40°C~-75°C
3rd IMD(dBc)MAX	-
Power FWD/REV/PK(Watt)	5/0.5/-
Operating Temperature(°C)	-40~+75
Storage Temperature(°C)	-
2nd/3rd Harmonic(dBc)	-
Termination/Attenuator(Watt/dB)	-
Tab(W×LG×THK)(mm[Inch])	-
Additional Notes	-

JQL **JQL Electronic Inc** 500 Lake Cook Road, Suite 350 Deerfield, IL 60015, USA Tel: 1(888)236-9828 Fax: 1(888)823-2902

MATERIAL: -	DWG NO: JIS9000T10K0G0			
SURFACE TREATMENT: -	DWG BY:	M.Hao	02.10.2014	SACLE
DESCRIPTION: MICROSTRIP ISOLATOR	CHK'D BY:			
	APPV'D BY:			5:1
	Unit: mm[inch]	Tolerance: Liner: ±0.25 Anguar: ±0.5°	The First:	A4



This document is the property of JQL Electronic Inc. It cannot be copied, duplicated, used for manufacturing purposes or communicated to third party as a whole or partly, without the written consent of JQL Electronic Inc.