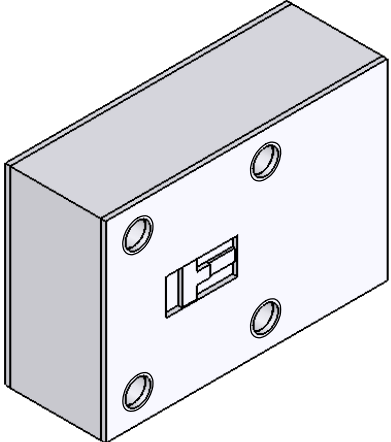
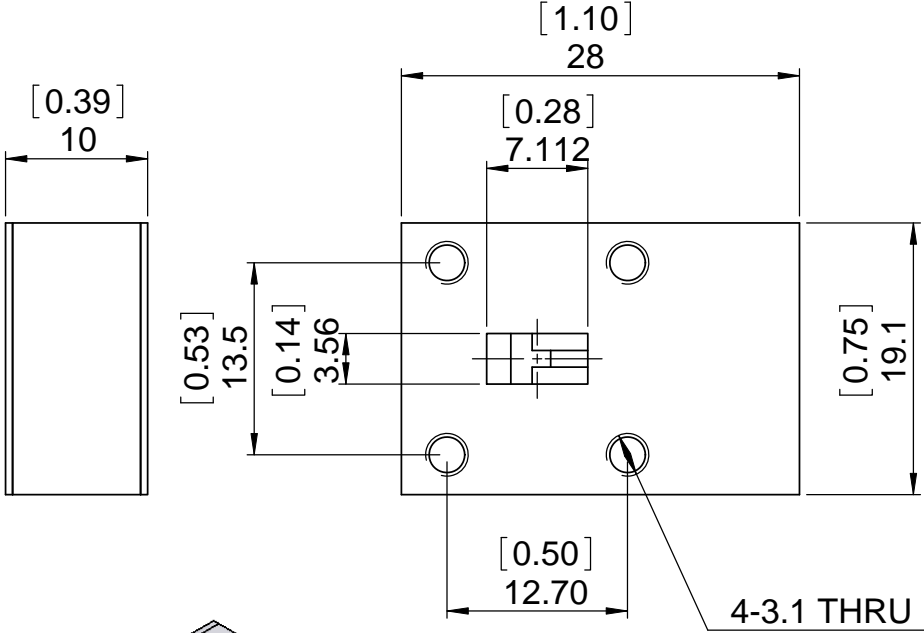


REV.	DESCRIPTION	REVISOR	DATE	APPROVE

**SPECIFICATIONS**

P/N: JIWR28-10-27K0T28K0  
 FREQ: 27~28GHz  
 ISOLATION: 25dB MIN  
 INS LOSS: 0.3dB MAX  
 VSWR: 1.25:1 MAX  
 PWR FWR/REV 5W/1W AVG  
 TEMP: -40C~+85C



This document is the property of JQL Electronic Inc.  
 It cannot be copied, duplicated, used for manufacturing purposes  
 or communicated to third party as a whole or partly,  
 without the written consent of JQL Electronic Inc.

**JQL JQL Electronic Inc** 500 Lake Cook Road, Suite 350 Tel : 1(888)236-9828  
 Deerfield, IL 60015, USA Fax: 1(630)823-2902

MATERIAL:	DWG NO. JIWR28-10-27K0T28K0			
SURFACE TREATMENT:				
DESCRIPTION:  WAVEGUIDE ISO	NAME	DATE	SIGNATURE	REV:
	DWG BY: SY	01.13.09		0
	CHK'D BY: GC	01.13.09		
	APPV'D BY: JZ	01.13.09		
	TOLERANCE Liner: ±0.1mm Angular: ±0.5°		Q.A	A4