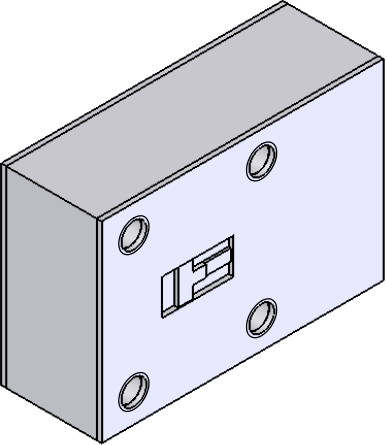
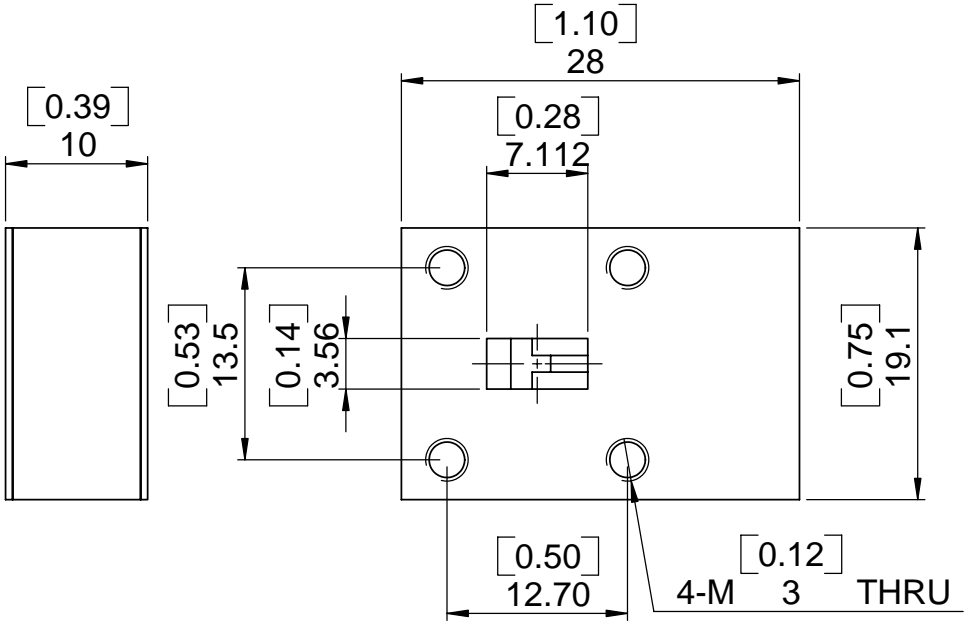


| 5 | | 6 | | |
|------|-------------|---------|------|---------|
| REV. | DESCRIPTION | REVISOR | DATE | APPROVE |
| | | | | |

SPECIFICATIONS

P/N: JIWR28-10-30KOT31K0
 FREQ: 30~31GHz
 ISOLATION: 23dB MIN
 INS LOSS: 0.30dB MAX
 VSWR: 1.25:1 MAX
 PWR FWR/REV 5W/1W
 TEMP: -55C~+85C



This document is the property of JQL Electronic Inc. It cannot be copied, duplicated, used for manufacturing purposes or communicated to third party as a whole or partly, without the written consent of JQL Electronic Inc.

JQL JQL Electronic Inc 500 Lake Cook Road, Suite 350 Tel: 1(888)236-9828
 Deerfield, IL 60015, USA Fax: 1(630)823-2902

MATERIAL: DWG NO. JIWR28-10-30KOT31K0

SURFACE TREATMENT:

DESCRIPTION: WAVEGUIDE ISO

| | NAME | DATE | SIGNATURE | REV: |
|----------------|------|----------|-----------|------|
| DWG BY: | SY | 01.13.09 | | 0 |
| CHK'D BY: | GC | 01.13.09 | | |
| APPV'D BY: | JZ | 01.13.09 | | |
| TOLERANCE | | | Q.A | A4 |
| Liner: ±0.1mm | | | | |
| Angular: ±0.5° | | | | |