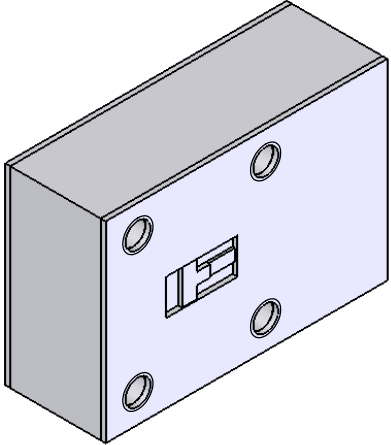
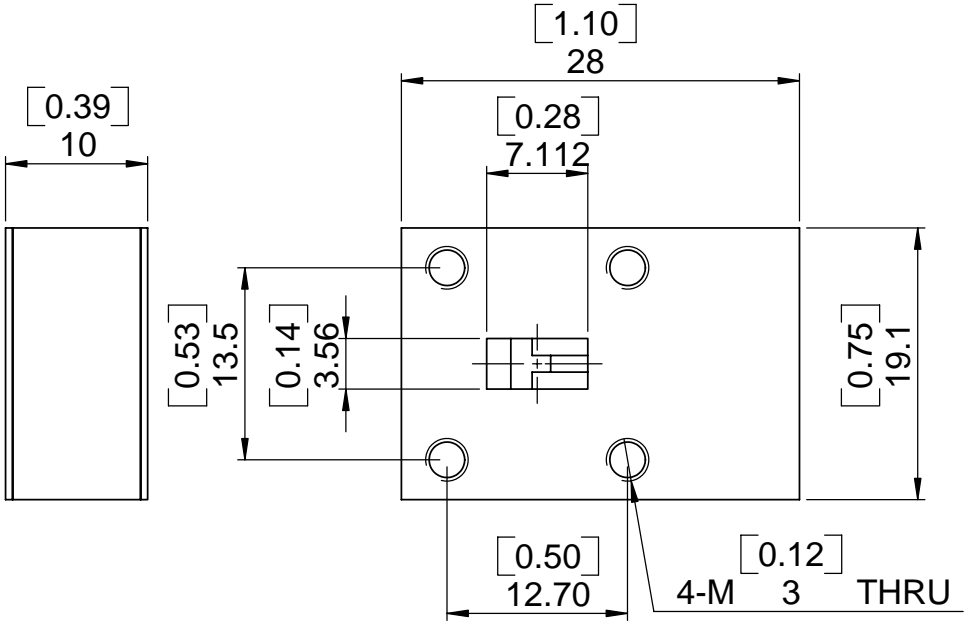


5		6		
REV.	DESCRIPTION	REVISOR	DATE	APPROVE

SPECIFICATIONS

P/N: JIWR28-10-32K0T33K0
 FREQ: 32~33GHz
 ISOLATION: 23dB MIN
 INS LOSS: 0.30dB MAX
 VSWR: 1.25:1 MAX
 PWR FWR/REV 5W/1W
 TEMP: -55C~+85C



This document is the property of JQL Electronic Inc.
 It cannot be copied, duplicated, used for manufacturing purposes
 or communicated to third party as a whole or partly,
 without the written consent of JQL Electronic Inc.

JQL JQL Electronic Inc 500 Lake Cook Road, Suite 350 Tel : 1(888)236-9828
 Deerfield, IL 60015, USA Fax: 1(630)823-2902

MATERIAL: DWG NO. JIWR28-10-32K0T33K0

SURFACE TREATMENT:

	NAME	DATE	SIGNATURE	REV:
DWG BY:	SY	01.13.09		0
CHK'D BY:	GC	01.13.09		
APPV'D BY:	JZ	01.13.09		
DESCRIPTION:	TOLERANCE			Q.A
WAVEGUIDE ISO	Liner: ±0.1mm			A4
	Angular: ±0.5°			