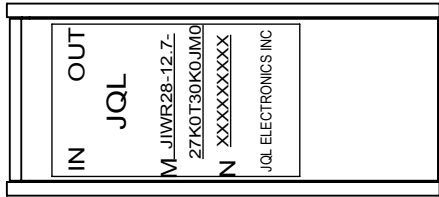
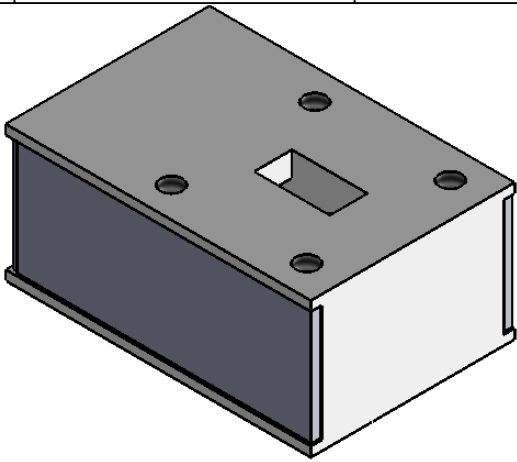
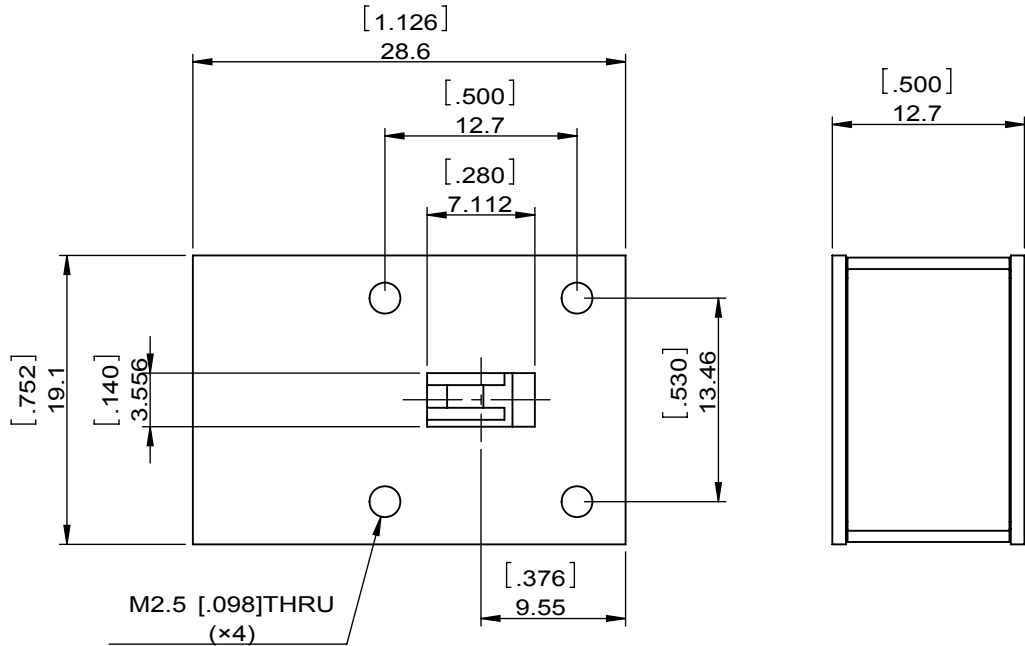


| | | | | | | | | | | | |
|----------------------------|--|---|--|---|--|--------|--|---------------|--|-----------------|--|
| 1 | | 2 | | 3 | | 4 | | 5 | | 6 | |
| Document No. QR4-700-T-003 | | | | | | REV. 0 | | DESCRIPTION | | APPROVED David | |
| REV. A/0 | | | | | | | | REVISOR ZC.Wu | | DATE 03.18.2015 | |



| SPECIFICATIONS | |
|---------------------------------|-----------------|
| Part's Number | JIWR28-12.7-TBD |
| Frequency(GHz) | 26.50~40.00 |
| Bandwidth Up To 25% | |
| Direction | - |
| Insertion Loss(dB)MAX | 0.25 |
| Isolation(dB)MIN | 22.0 |
| Return Loss(dB)MIN | 22.0 |
| 3rd IMD(dBc)MAX | - |
| Power FWD/REV/PK(Watt) | 5/1/- |
| Operating Temperature(°C) | -40~+85 |
| Storage Temperature(°C) | - |
| 2nd/3rd Harmonic(dBc) | - |
| Termination/Attenuator(Watt/dB) | - |
| Tab(W×LG×THK)(mm[Inch]) | - |
| Additional Notes | - |



This document is the property of JQL Electronic Inc. It cannot be copied, duplicated, used for manufacturing purposes or communicated to third party as a whole or partly, without the written consent of JQL Electronic Inc.

| | | | | |
|---|--|-----------------------------------|------------|-------|
| JQL JQL Electronic Inc | | | | |
| MATERIAL: ALUM | | DWG NO: JIWR28-12.7-TBD | | |
| SURFACE TREATMENT: FILM OXDIE | | DWG BY: ZC.Wu | 03.18.2015 | SCALE |
| DESCRIPTION: WAVEGUIDE ISOLATOR | | CHK'D BY: | | 2:1 |
| Unit: mm[inch] | | APPV'D BY: | | A4 |
| Tolerance: Liner: ±0.25 Anguar: ±0.5° | | The First: | | |