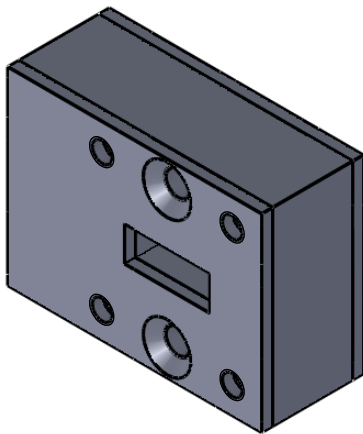
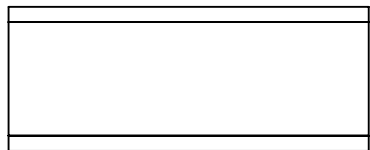
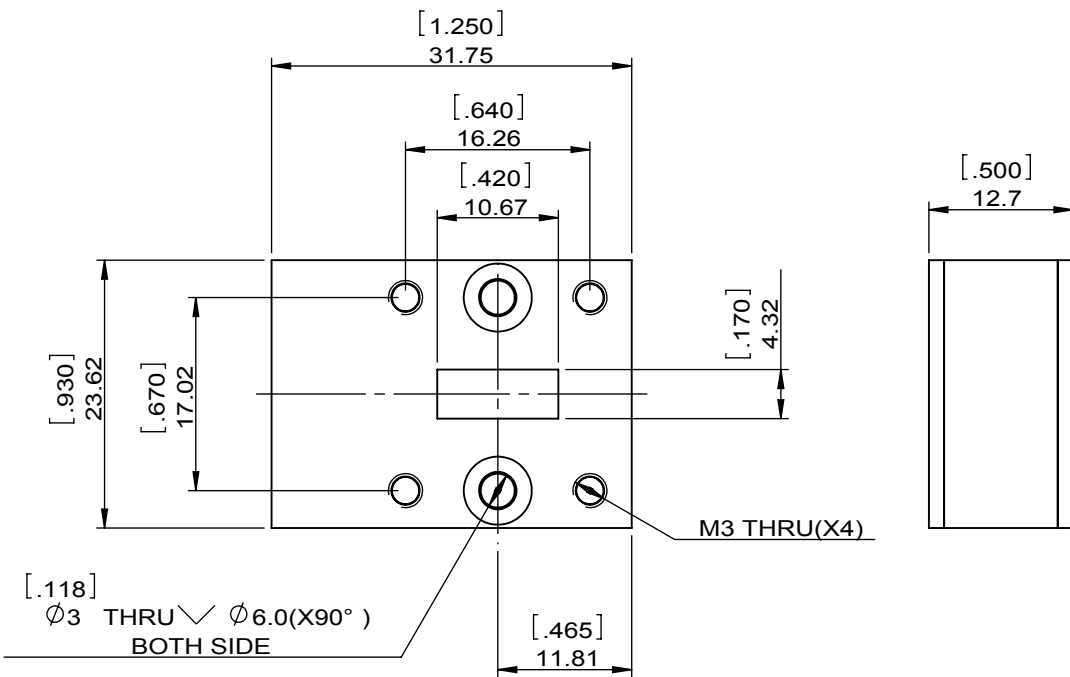


1		2		3		4		5		6	
Document No.	QR4-700-T-003	REV.	A/0	REV.	DESCRIPTION	REVISOR	DATE	APPROVED			
				0		ZC.Wu	01.22.2015	David			



SPECIFICATIONS	
Part's Number	JIWR42-12.7A-18K25T19K5
Frequency(GHz)	18.25~19.50
Direction	-
Insertion Loss(dB)MAX	0.30
Isolation(dB)MIN	20.0
Return Loss(dB)MIN	20.0
3rd IMD(dBc)MAX	-
Power FWD/REV/PK(Watt)	2/2/-
Operating Temperature(°C)	-40~+85
Storage Temperature(°C)	-
2nd/3rd Harmonic(dBc)	-
Termination/Attenuator(Watt/dB)	-
Tab(W×LG×THK)(mm[Inch])	-
Additional Notes	-



<b>JQL JQL Electronic Inc</b>				
<b>MATERIAL:</b> AL		<b>DWG NO:</b> JIWR42-12.7A-18K25T19K5		
<b>SURFACE TREATMENT:</b> CHEM FILM		DWG BY:	ZC.Wu	01.22.2015
<b>DESCRIPTION:</b> WAVEGUIDE ISOLATOR		CHK'D BY:		SCALE
		APPV'D BY:		3:2
Unit:		Tolerance:	The First:	A4
mm[inch]		Liner: ±0.1mm Anguar: ±0.5°		



This document is the property of JQL Electronic Inc. It cannot be copied, duplicated, used for manufacturing purposes or communicated to third party as a whole or partly, without the written consent of JQL Electronic Inc.