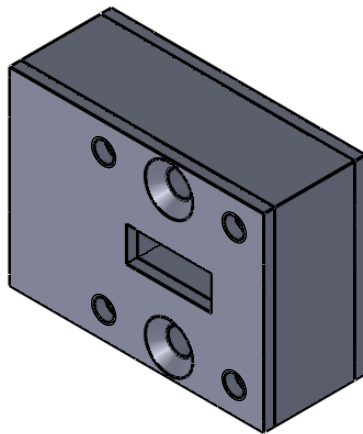
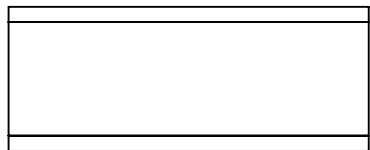
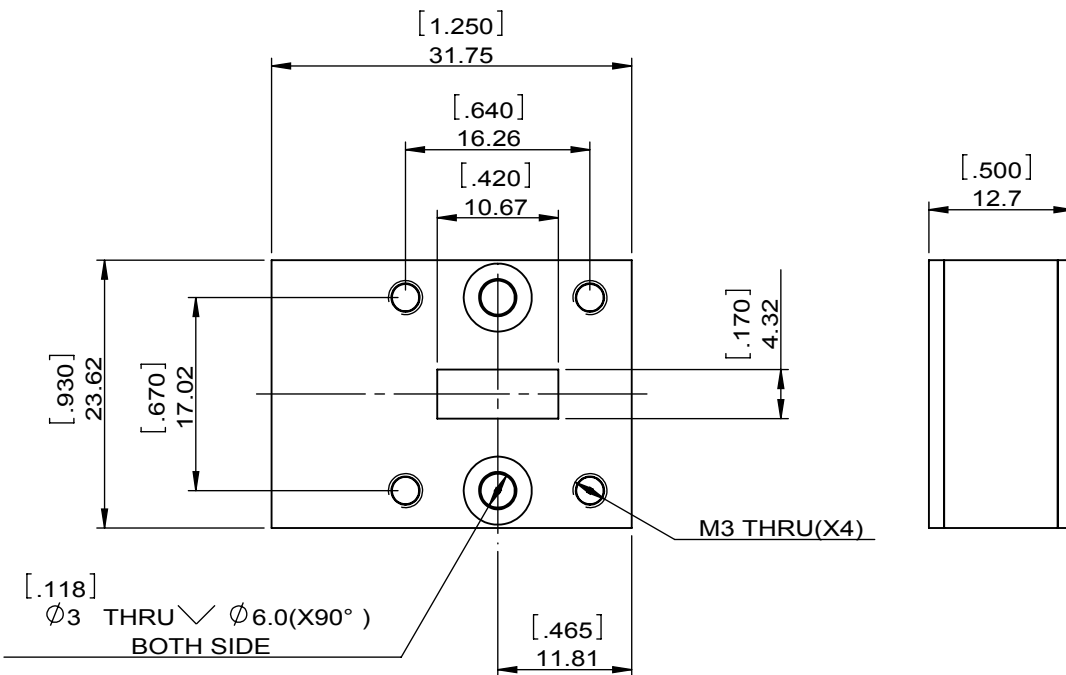


1		2		3		4		5		6	
Document No.		QR4-700-T-003		REV.		0		DESCRIPTION		APPROVED	
REV.		A/0						REVISOR		DATE	
								ZC.Wu		01.22.2015	
										David	



SPECIFICATIONS	
Part's Number	JIWR42-12.7A-19K2T21K2
Frequency(GHz)	19.20~21.20
Direction	-
Insertion Loss(dB)MAX	0.30
Isolation(dB)MIN	21.0
Return Loss(dB)MIN	20.0
3rd IMD(dBc)MAX	-
Power FWD/REV/PK(Watt)	2/1/-
Operating Temperature(°C)	-40~+85
Storage Temperature(°C)	-
2nd/3rd Harmonic(dBc)	-
Termination/Attenuator(Watt/dB)	-
Tab(W×LG×THK)(mm[Inch])	-
Additional Notes	-



JQL JQL Electronic Inc				
MATERIAL: AL		DWG NO: JIWR42-12.7A-19K2T20K2		
SURFACE TREATMENT: CHEM FILM		DWG BY:	ZC.Wu	01.22.2015
DESCRIPTION: WAVEGUIDE ISOLATOR		CHK'D BY:		SCALE
		APPV'D BY:		3:2
		Unit:	Tolerance:	The First:
		mm[inch]	Liner: ±0.1mm Anguar: ±0.5°	
				A4



This document is the property of JQL Electronic Inc. It cannot be copied, duplicated, used for manufacturing purposes or communicated to third party as a whole or partly, without the written consent of JQL Electronic Inc.