

Stock Number

REV.	DESCRIPTION	REVISOR	DATE	APPROVE
0		MH	02.23.10	CH

P/N: JIWR42-9.5A-18K2T19K2
 FREQ: 18.2~19.2GHz

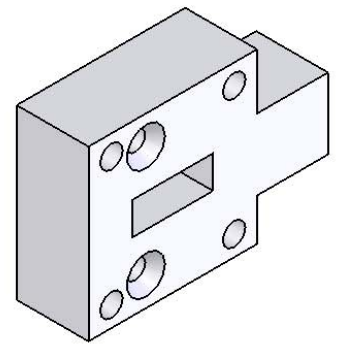
ISOLATION: 19dB MIN
 INS LOSS: 0.4dB MAX
 VSWR: 1.25:1 MAX
 PWR FWD/REV: 1W/1W
 TEMP: -30C~+75C
 WAVEGUIDE: UBR220

✓ [0.10]
 2- Ø2.65, THRU
 Ø4.88-Ø5.13 X 100°
 BOTH SIDES

[0.12]
 4- Ø3, THRU



This document is the property of JQL Electronic Inc.
 It cannot be copied, duplicated, used for manufacturing purposes
 or communicated to third party as a whole or partly,
 without the written consent of JQL Electronic Inc.



JQL JQL Electronic Inc

500 Lake Cook Road, Suite 350 Tel : 1(888)236-9828
 Deerfield, IL 60015, USA Fax: 1(630)823-2902

MATERIAL:	DWG NO.			SCALE:
SURFACE TREATMENT:	JIWR42-9.5A-18K2T19K2			
DESCRIPTION: WAVEGUIDE ISO	DWG BY:	NAME	DATE	1:1
	CHK'D BY:	MH	02.23.10	
	APPVD BY:	SY	02.23.10	
Unit: mm	TOLERANCE: Liner: ±0.1mm Angular: ±0.5°	Type Of Projection		A4

WEIGHT:

SHEET 1 OF 1