

1		2		3		4		5		6	
Stock Number						REV.	DESCRIPTION	REVISOR	DATE	APPROVE	
						0		MH	02.23.10	CH	

P/N: JIWR42-9.5A-21K0T22K5
 FREQ: 21.00~22.50GHz

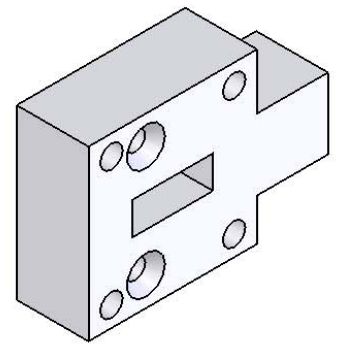
ISOLATION: 19dB MIN
 INS LOSS: 0.4dB MAX
 VSWR: 1.30:1 MAX
 PWR FWD/REV: 1W/1W
 TEMP: -30C~+75C
 WAVEGUIDE: UBR220

✓ [0.10]
 2- ϕ 2.65, THRU
 ϕ 4.88- ϕ 5.13 X 100°
 BOTH SIDES

[0.12]
 4- ϕ 3, THRU



This document is the property of JQL Electronic Inc.
 It cannot be copied, duplicated, used for manufacturing purposes
 or communicated to third party as a whole or partly,
 without the written consent of JQL Electronic Inc.



JQL JQL Electronic Inc		500 Lake Cook Road, Suite 350 Deerfield, IL 60015, USA		Tel : 1(888)236-9828 Fax: 1(630)823-2902	
MATERIAL:		DWG NO. JIWR42-9.5A-21K0T22K5			
SURFACE TREATMENT:		NAME MH		DATE 02.23.10	
DESCRIPTION: WAVEGUIDE ISO		CHK'D BY: SY		02.23.10	
Unit: mm		APPVD BY: CH		02.23.10	
TOLERANCE: Liner: \pm 0.1mm Angular: \pm 0.5°		Type Of Projection		SCALE: 1:1	
				A4	
WEIGHT:				SHEET 1 OF 1	