

Stock Number

[1.25]
31.75

REV.	DESCRIPTION	REVISOR	DATE	APPROVE
0		MH	02.23.10	CH

P/N: JIWR42-9.5A-21K2T23K6
FREQ: 21.20~23.60GHz

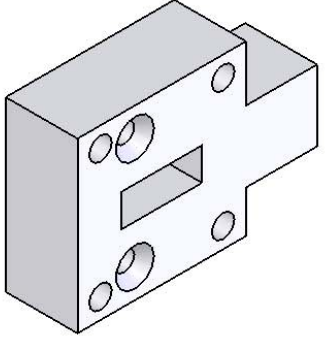
ISOLATION: 18dB MIN
INS LOSS: 0.5dB MAX
VSWR: 1.30:1 MAX
PWR FWD/REV 1W/1W
TEMP: -30C~+75C
WAVEGUIDE: UBR220

✓ [0.10]
2- ϕ 2.65, THRU
 ϕ 4.88- ϕ 5.13 X 100°
BOTH SIDES

[0.12]
4- ϕ 3, THRU



This document is the property of JQL Electronic Inc.
It cannot be copied, duplicated, used for manufacturing purposes
or communicated to third party as a whole or partly,
without the written consent of JQL Electronic Inc.



JQL JQL Electronic Inc

500 Lake Cook Road, Suite 350 Tel : 1(888)236-9828
Deerfield, IL 60015, USA Fax: 1(630)823-2902

MATERIAL:	DWG NO.
SURFACE TREATMENT:	JIWR42-9.5A-21K2T23K6
DESCRIPTION:	WAVEGUIDE ISO

	NAME	DATE	SCALE:
DWG BY:	MH	02.23.10	1:1
CHK'D BY:	SY	02.23.10	
APPVD BY:	CH	02.23.10	
Unit: mm	TOLERANCE: Liner: \pm 0.1mm Angular: \pm 0.5°	Type Of Projection 	A4

WEIGHT:

SHEET 1 OF 1