

Stock Number

[1.25]  
31.75

REV.	DESCRIPTION	REVISOR	DATE	APPROVE
0		MH	02.23.10	CH

P/N: JIWR42-9.5A-TBD  
 FREQ: 17.60~26.70GHz  
 Bandwidth Up To 30%

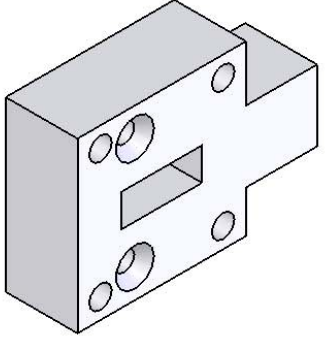
ISOLATION: 19dB MIN  
 INS LOSS: 0.4dB MAX  
 VSWR: 1.25:1 MAX  
 PWR FWD/REV: 1W/1W  
 TEMP: -30C~+75C  
 WAVEGUIDE: UBR220

✓ [0.10]  
 2-  $\phi$ 2.65, THRU  
 $\phi$ 4.88- $\phi$ 5.13 X 100°  
 BOTH SIDES

[0.12]  
 4-  $\phi$ 3, THRU



This document is the property of JQL Electronic Inc.  
 It cannot be copied, duplicated, used for manufacturing purposes  
 or communicated to third party as a whole or partly,  
 without the written consent of JQL Electronic Inc.



**JQL** JQL Electronic Inc

500 Lake Cook Road, Suite 350 Tel : 1(888)236-9828  
 Deerfield, IL 60015, USA Fax: 1(630)823-2902

MATERIAL:  
 SURFACE TREATMENT:  
 DESCRIPTION:  
**WAVEGUIDE ISO**

DWG NO.		SCALE:	
JIWR42-9.5A-TBD		1:1	
DWG BY:	NAME	DATE	Type Of Projection
CHK'D BY:	MH	02.23.10	
APPVD BY:	SY	02.23.10	
Unit: mm	TOLERANCE:	Type Of Projection	
	Liner: $\pm$ 0.1mm		
	Angular: $\pm$ 0.5°		

WEIGHT:

SHEET 1 OF 1