

1 2 3 4 5 6

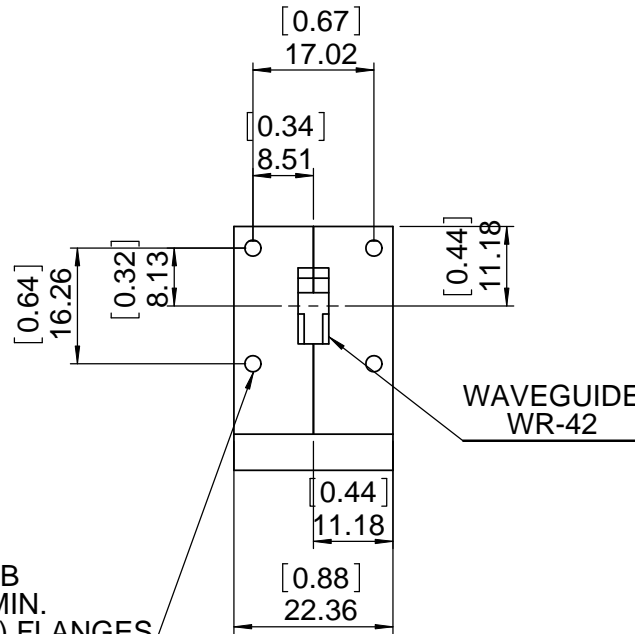
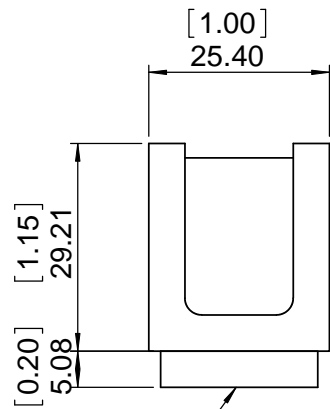
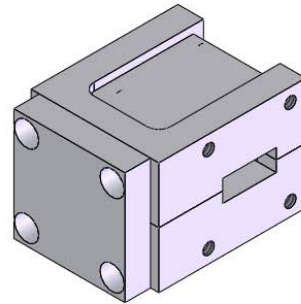
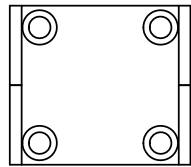
Stock Number

REV.	DESCRIPTION	REVISOR	DATE	APPROVE
0		MH	02.14.11	CH

**SPECIFICATIONS**

P/N: JIWR42-F-21K2T23K6  
 FREQ: 21.2~23.6GHZ

ISOLATION: 20dB MIN  
 INS LOSS: 0.30dB MAX  
 VSWR: 1.20:1 MAX  
 PW FWD/REV: 10W/1W  
 PRESSURE: 5PSI MAX  
 TEMP: -40~+80C



**LOAD**  
 4-40 UNC-2B  
 X 4.32 DP.MIN.  
 (4) PLCS (2) FLANGES



This document is the property of JQL Electronic Inc.  
 It cannot be copied, duplicated, used for manufacturing purposes  
 or communicated to third party as a whole or partly,  
 without the written consent of JQL Electronic Inc.

**JQL** JQL Electronic Inc

500 Lake Cook Road, Suite 350 Tel : 1(888)236-9828  
 Deerfield, IL 60015, USA Fax: 1(630)823-2902

MATERIAL:  
 SURFACE TREATMENT:  
 DESCRIPTION:  
**WAVEGUIDE ISOLATOR**

DWG NO.  
**JIWR42-F-21K2T23K6**

	NAME	DATE	SCALE:
DWG BY:	MH	02.14.11	1:1
CHK'D BY:	FW	02.14.11	
APPVD BY:	CH	02.14.11	
Unit: mm	TOLERANCE: Liner: ±0.1mm Angular: ±0.5°	Type Of Projection 	A4

1 2 WEIGHT: SHEET 1 OF 1