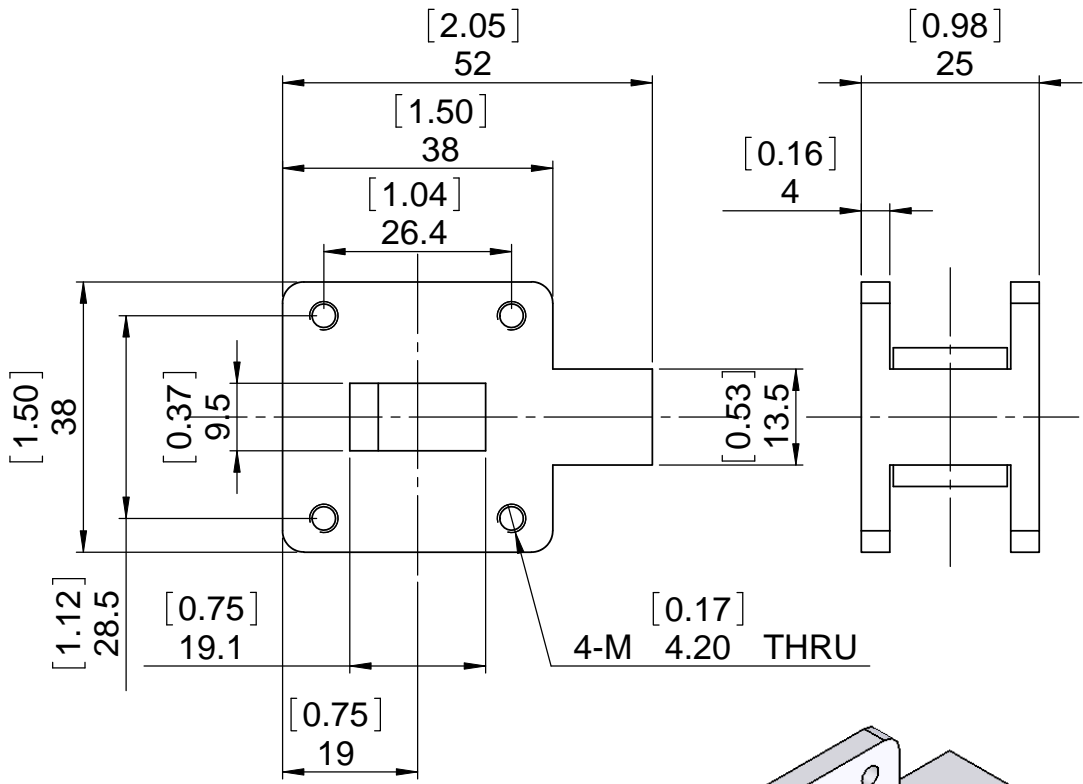


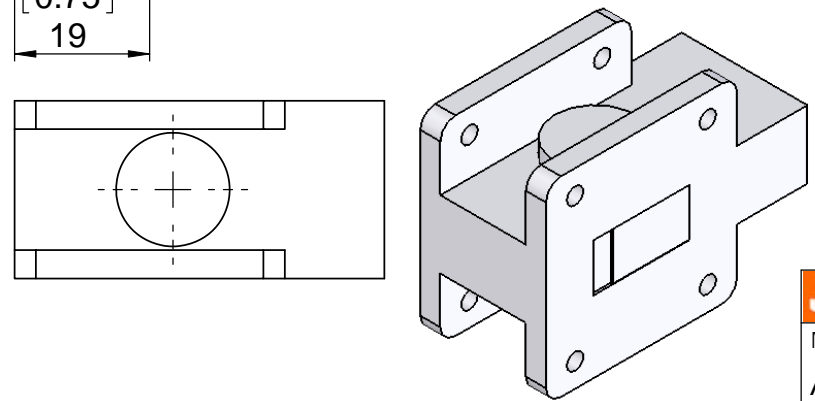
REV.	DESCRIPTION	REVISOR	DATE	APPROVE



SPECIFICATIONS

P/N: JIWR75-25-11K5T12K6
 FREQ: 11.50~12.60GHz

ISOLATION: 25dB MIN
 INS LOSS: 0.25dB MAX
 VSWR: 1.20:1 MAX
 PWR FWD/REV 10W/5W
 WAVEGUIDE: WR75
 TEMP: -30~+70C



This document is the property of JQL Electronic Inc. It cannot be copied, duplicated, used for manufacturing purposes or communicated to third party as a whole or partly, without the written consent of JQL Electronic Inc.

JQL JQL Electronic Inc 500 Lake Cook Road, Suite 350 Deerfield, IL 60015, USA Tel : 1(888)236-9828 Fax: 1(630)823-2902

MATERIAL: ALUMINUM	DWG NO. JIWR75-25-11K5T12K6																		
SURFACE TREATMENT:																			
DESCRIPTION: WAVEGUIDE																			
	<table border="1"> <thead> <tr> <th>NAME</th> <th>DATE</th> <th>SIGNATURE</th> <th>REV:</th> </tr> </thead> <tbody> <tr> <td>DWG BY: SY</td> <td>01.13.09</td> <td></td> <td rowspan="3">0</td> </tr> <tr> <td>CHK'D BY: GC</td> <td>01.13.09</td> <td></td> </tr> <tr> <td>APPV'D BY: JZ</td> <td>01.13.09</td> <td></td> </tr> <tr> <td></td> <td>TOLERANCE Liner: ±0.1mm Angular: ±0.5°</td> <td>Q.A</td> <td>A4</td> </tr> </tbody> </table>	NAME	DATE	SIGNATURE	REV:	DWG BY: SY	01.13.09		0	CHK'D BY: GC	01.13.09		APPV'D BY: JZ	01.13.09			TOLERANCE Liner: ±0.1mm Angular: ±0.5°	Q.A	A4
NAME	DATE	SIGNATURE	REV:																
DWG BY: SY	01.13.09		0																
CHK'D BY: GC	01.13.09																		
APPV'D BY: JZ	01.13.09																		
	TOLERANCE Liner: ±0.1mm Angular: ±0.5°	Q.A	A4																