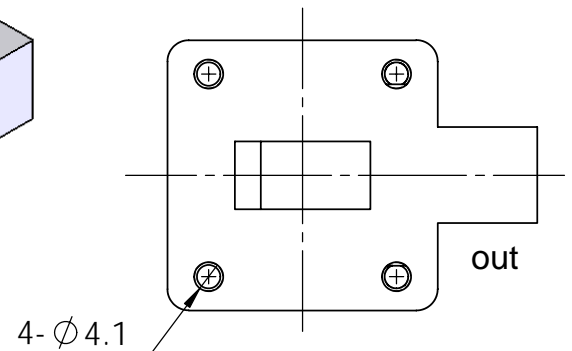
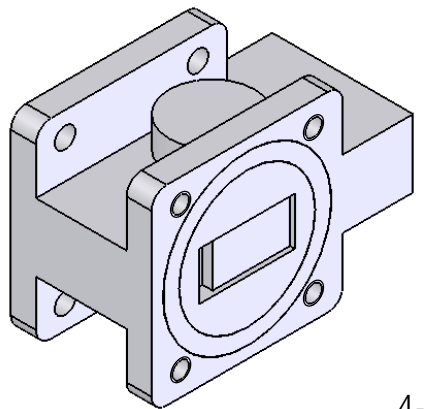
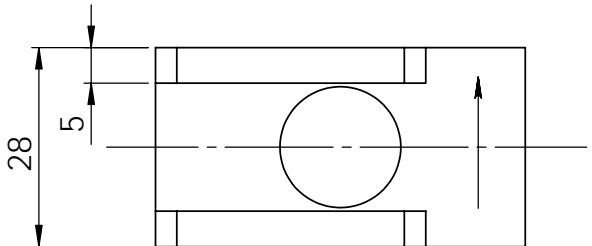
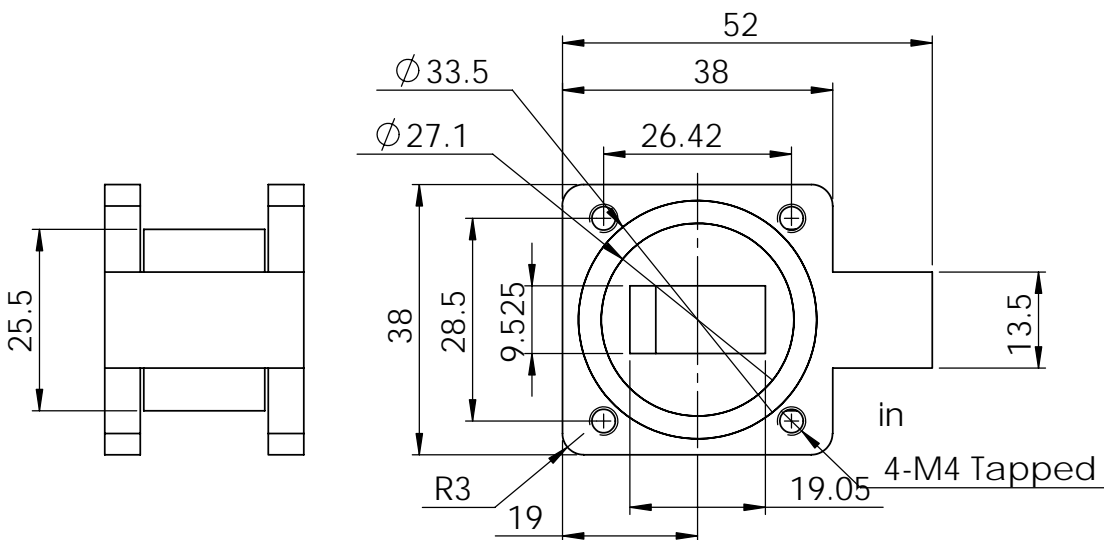


5		6		
REV.	DESCRIPTION	REVISOR	DATE	APPROVE

SPECIFICATIONS

P/N: JIWR75-28M-10K95T12K75
 FREQ: 10.95~12.75GHz

ISOLATION: 22dB TYP/ 20dB MIN
 INS LOSS: 0.20dB TYP/0.25dB MAX
 VSWR: 1.20:1 MAX
 PWR FWD/REV: 30W/10W
 TEMPERATURE OPERATING: -30C~+75C
 STORAGE: -55C~+125C



This document is the property of JQL Electronic Inc. It cannot be copied, duplicated, used for manufacturing purposes or communicated to third party as a whole or partly, without the written consent of JQL Electronic Inc.

JQL JQL Electronic Inc		500 Lake Cook Road, Suite 350 Deerfield, IL 60015, USA		Tel : 1(888)236-9828 Fax: 1(630)823-2902	
MATERIAL: ALUMINA		DWG NO. JIWR75-28M-10K95T12K75			
SURFACE TREATMENT:		NAME		DATE	SIGNATURE
DESCRIPTION: WAVEGUIDE ISOLATOR		DWG BY:	SY	01.12.09	REV:
		CHK'D BY:	GC	01.12.09	0
		APPV'D BY:	JZ	01.12.09	A4
		TOLERANCE		Q.A	
		Liner: ±0.1mm			
		Angular: ±0.5°			