

1 2 3 4 5 6

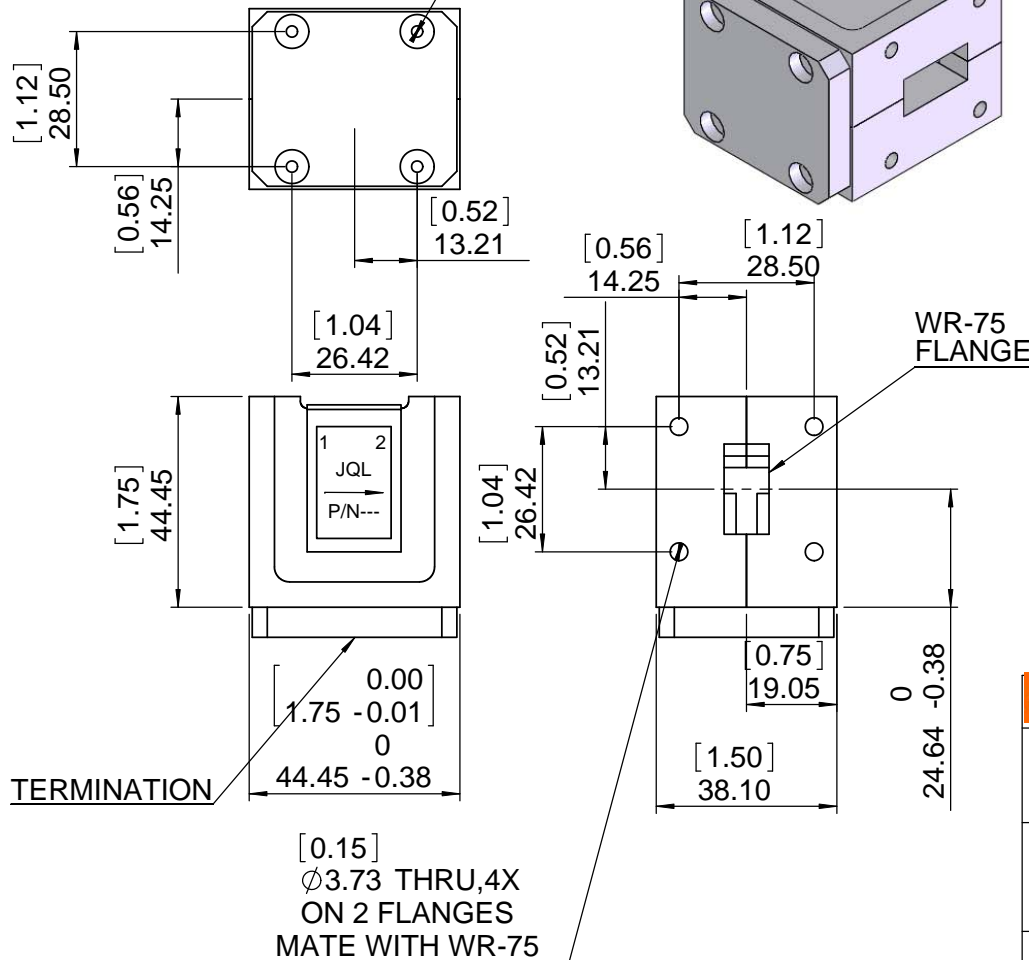
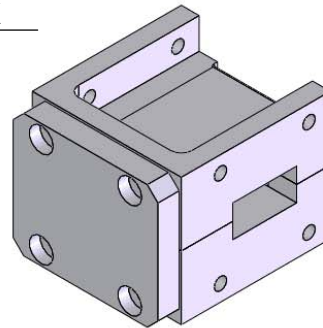
Stock Number

REV.	DESCRIPTION	REVISOR	DATE	APPROVE
0		MH	07.27.11	CH

SPECIFICATIONS

P/N: JIWR75F-10K7T11K2
 Freq: 10.7~11.2GHz
 Isolation: 25dB Min
 Ins Loss: 0.20dB Max
 Return Loss: 22dB Min
 Pwr FWD/REV: 10W/5W
 Temp: -30C~+75C

6-32 UNC-2B
THRU,4X



This document is the property of JQL Electronic Inc.
 It cannot be copied, duplicated, used for manufacturing purposes
 or communicated to third party as a whole or partly,
 without the written consent of JQL Electronic Inc.

JQL JQL Electronic Inc		Tel : 1(888)236-9828	
		Fax: 1(630)823-2902	
PACKAGE CODE:	DWG NO.		
	JIWR75F-10K7T11K2		
SURFACE TREATMENT:	CHEM FILM	DWG BY: MH	DATE: 07.27.11
		CHK'D BY: FW	07.27.11
		APPV'D BY: CH	07.27.11
DESCRIPTION:	WAVEGUIDE ISOLATOR	Unit: mm	TOLERANCE: Liner: ±0.1mm Angular: ±0.5°
		Type Of Projection	SCALE: 1:1
			A4

1 2 WEIGHT: SHEET 1 OF 1