

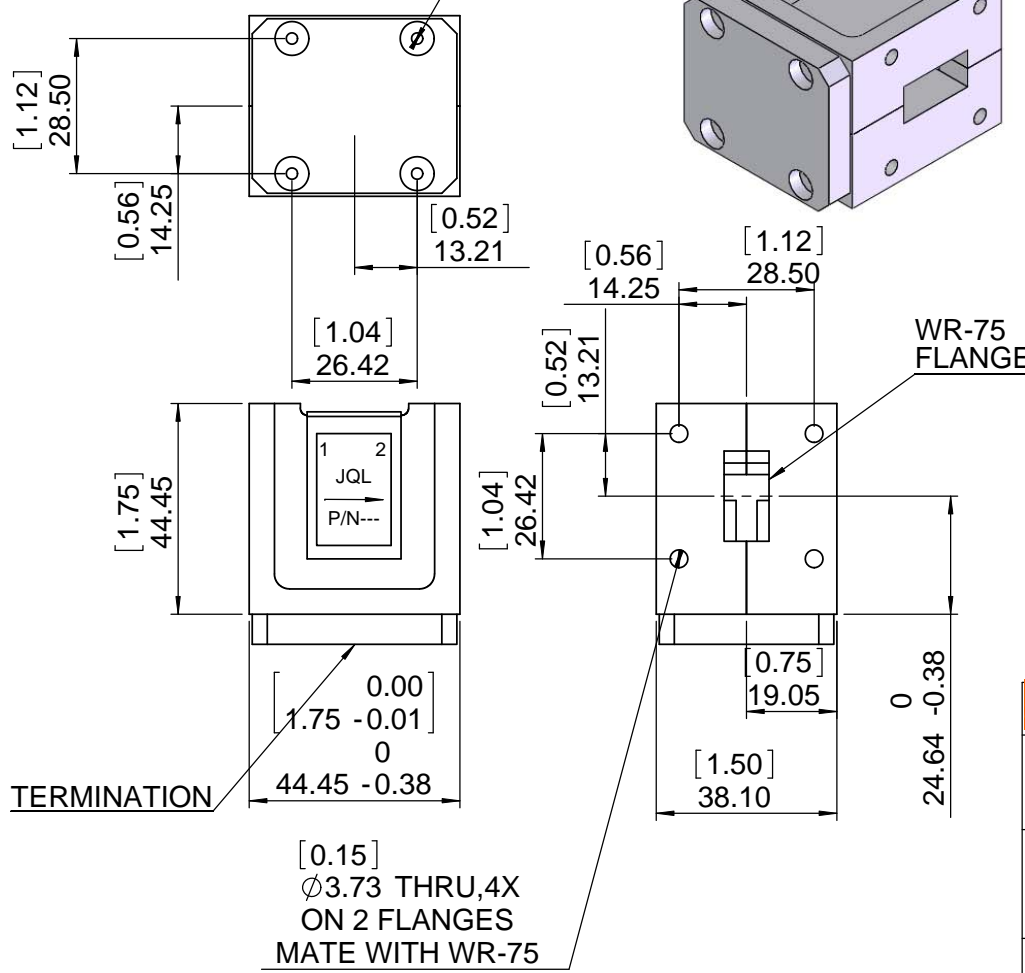
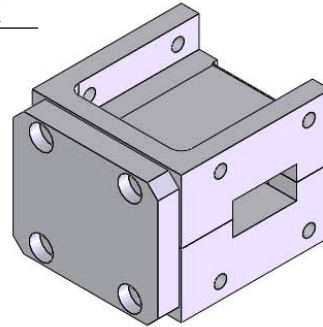
1 Stock Number

REV.	DESCRIPTION	REVISOR	DATE	APPROVE
0		MH	07.27.11	CH

**SPECIFICATIONS**

P/N: JIWR75F-11K7T12K2  
 Freq: 11.7~12.2GHz  
 Isolation: 25dB Min  
 Ins Loss: 0.20dB Max  
 Return Loss: 22dB Min  
 Pwr FWD/REV: 10W/5W  
 Temp: -30C~+75C

6-32 UNC-2B THRU,4X



This document is the property of JQL Electronic Inc. It cannot be copied, duplicated, used for manufacturing purposes or communicated to third party as a whole or partly, without the written consent of JQL Electronic Inc.

<b>JQL</b> JQL Electronic Inc		Tel : 1(888)236-9828	
		Fax: 1(630)823-2902	
PACKAGE CODE:	DWG NO.		
	JIWR75F-11K7T12K2		
SURFACE TREATMENT:	CHEM FILM	DWG BY: MH	DATE: 07.27.11
		CHK'D BY: FW	07.27.11
		APPVD BY: CH	07.27.11
DESCRIPTION:	WAVEGUIDE ISOLATOR	Unit: mm	TOLERANCE: Liner: ±0.1mm Angular: ±0.5°
		Type Of Projection	SCALE: 1:1
			A4

WEIGHT: