

1 2 3 4 5 6

Stock Number

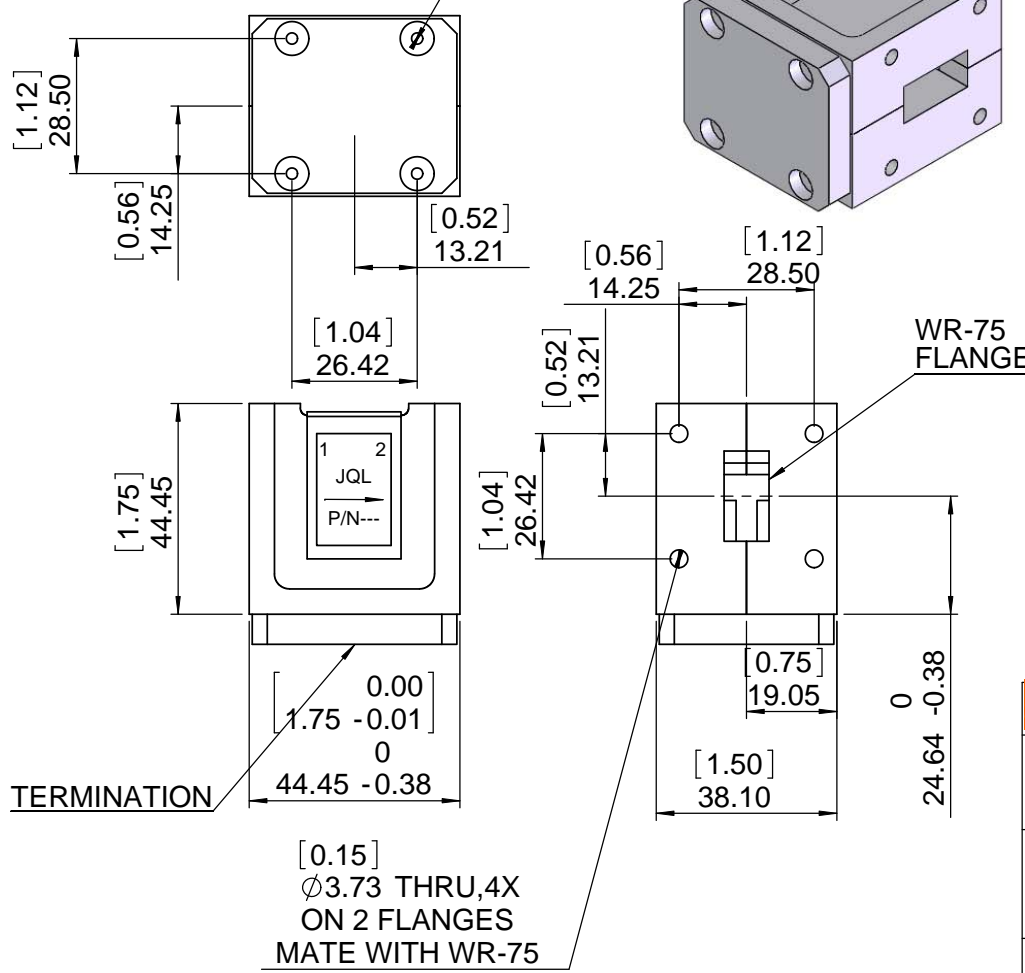
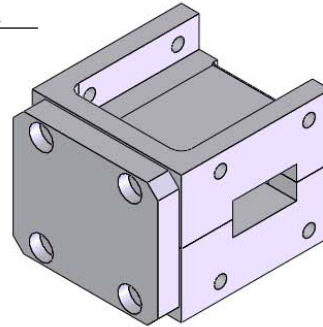
REV.	DESCRIPTION	REVISOR	DATE	APPROVE
0		MH	07.27.11	CH

SPECIFICATIONS

P/N: JIWR75F-12K25T12K75
 Freq: 12.25~12.75GHz

Isolation: 25dB Min
 Ins Loss: 0.20dB Max
 Return Loss: 22dB Min
 Pwr FWD/REV: 10W/5W
 Temp: -30C~+75C

6-32 UNC-2B
 THRU,4X



This document is the property of JQL Electronic Inc. It cannot be copied, duplicated, used for manufacturing purposes or communicated to third party as a whole or partly, without the written consent of JQL Electronic Inc.

JQL JQL Electronic Inc		Tel : 1(888)236-9828	
		Fax: 1(630)823-2902	
PACKAGE CODE:	DWG NO.	SCALE:	
	JIWR75F-12K25T12K75	1:1	
SURFACE TREATMENT:	CHEM FILM	NAME	DATE
		MH	07.27.11
		FW	07.27.11
		CH	07.27.11
DESCRIPTION:	WAVEGUIDE ISOLATOR	APPVD BY:	SCALE:
			A4
Unit: mm	TOLERANCE: Liner: ±0.1mm Angular: ±0.5°	Type Of Projection	

1 2 WEIGHT: SHEET 1 OF 1