

1 2 3 4 5 6

Stock Number

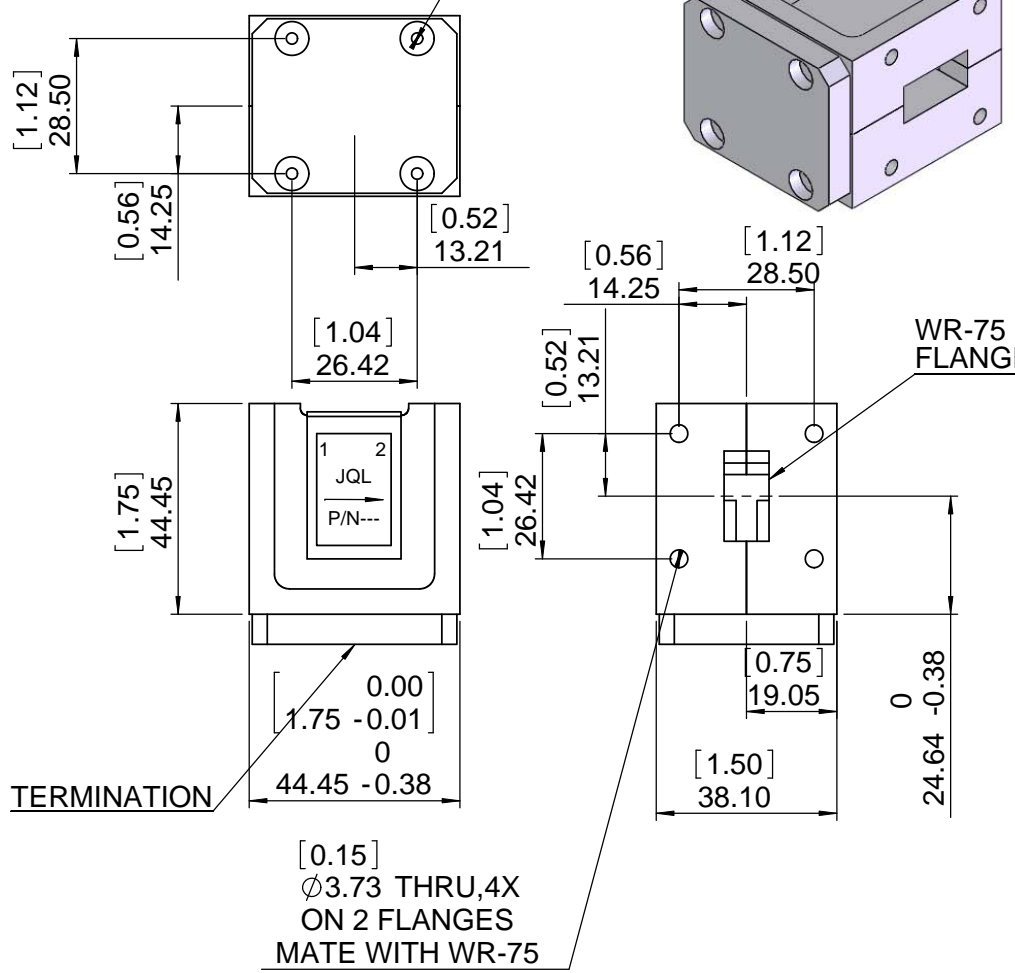
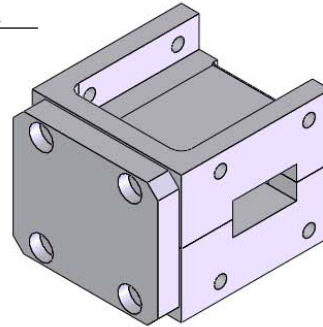
| REV. | DESCRIPTION | REVISOR | DATE | APPROVE |
|------|-------------|---------|----------|---------|
| 0 | | MH | 07.27.11 | CH |

SPECIFICATIONS

P/N: JIWR75F-13K25T13K75
 Freq: 13.25~13.75GHz

Isolation: 25dB Min
 Ins Loss: 0.20dB Max
 Return Loss: 22dB Min
 Pwr FWD/REV: 10W/5W
 Temp: -30C~+75C

6-32 UNC-2B
 THRU,4X



This document is the property of JQL Electronic Inc. It cannot be copied, duplicated, used for manufacturing purposes or communicated to third party as a whole or partly, without the written consent of JQL Electronic Inc.

| | | | |
|-------------------------------|---------------------|----------------------|---|
| JQL JQL Electronic Inc | | Tel : 1(888)236-9828 | |
| | | Fax: 1(630)823-2902 | |
| PACKAGE CODE: | DWG NO. | | |
| | JIWR75F-13K25T13K75 | | |
| SURFACE TREATMENT: | CHEM FILM | DWG BY: MH | DATE: 07.27.11 |
| | | CHK'D BY: FW | 07.27.11 |
| | | APPVD BY: CH | 07.27.11 |
| DESCRIPTION: | WAVEGUIDE ISOLATOR | Unit: mm | TOLERANCE: Liner: ±0.1mm Angular: ±0.5° |
| | | Type Of Projection | SCALE: 1:1 |
| | | | A4 |

1 2 WEIGHT: SHEET 1 OF 1