

1 2 3 4 5 6

Stock Number

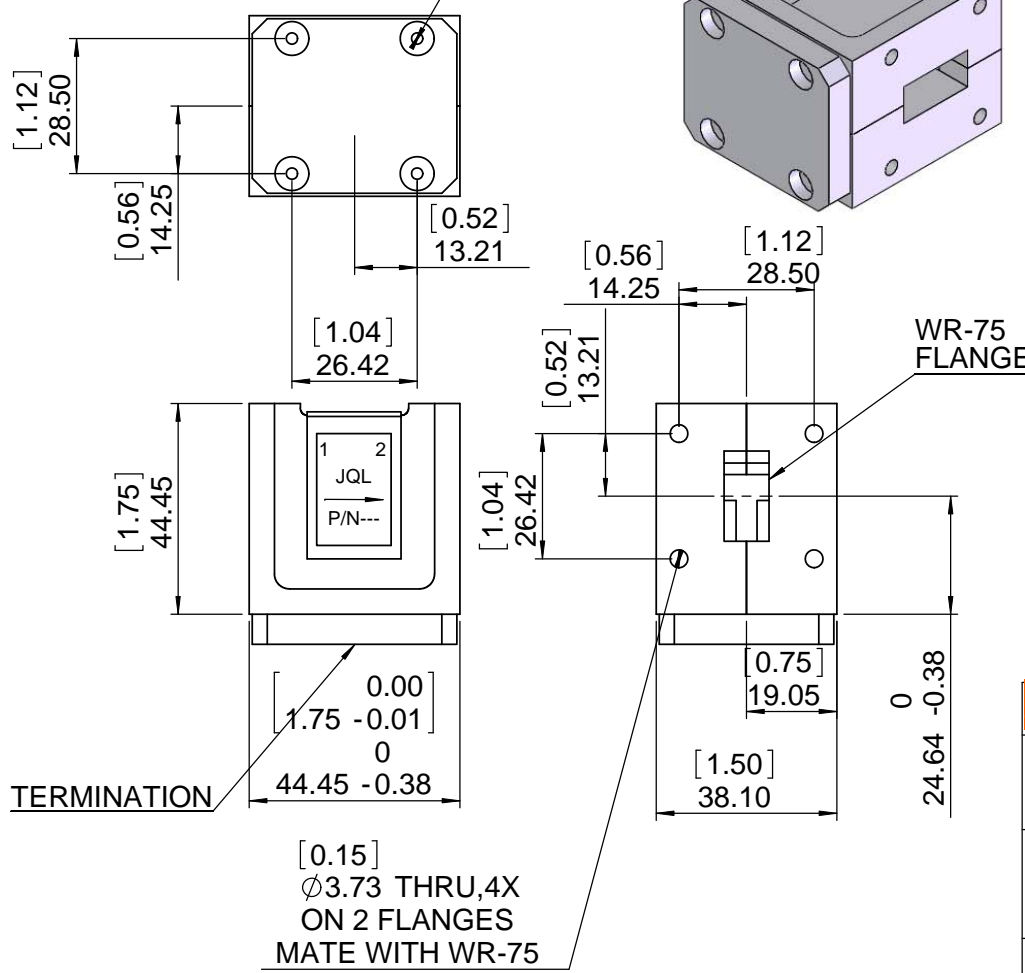
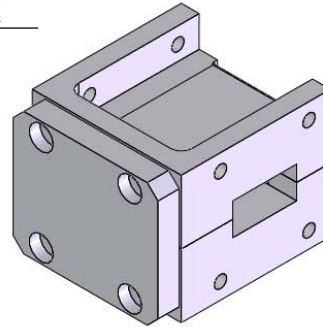
REV.	DESCRIPTION	REVISOR	DATE	APPROVE
0		MH	07.27.11	CH

**SPECIFICATIONS**

P/N: JIWR75F-13K75T14K25  
 Freq: 13.75~14.25GHz

Isolation: 25dB Min  
 Ins Loss: 0.20dB Max  
 Return Loss: 22dB Min  
 Pwr FWD/REV: 10W/5W  
 Temp: -30C~+75C

6-32 UNC-2B  
 THRU,4X



This document is the property of JQL Electronic Inc. It cannot be copied, duplicated, used for manufacturing purposes or communicated to third party as a whole or partly, without the written consent of JQL Electronic Inc.

<b>JQL</b> JQL Electronic Inc		Tel : 1(888)236-9828	
		Fax: 1(630)823-2902	
PACKAGE CODE:	DWG NO.		
	JIWR75F-13K75T14K25		
SURFACE TREATMENT:	CHEM FILM		
DESCRIPTION:	WAVEGUIDE ISOLATOR		
Unit: mm	TOLERANCE: Liner: ±0.1mm Angular: ±0.5°	Type Of Projection	SCALE:
			1:1
			A4

1 2 WEIGHT: SHEET 1 OF 1