

1 2 3 4 5 6

Stock Number

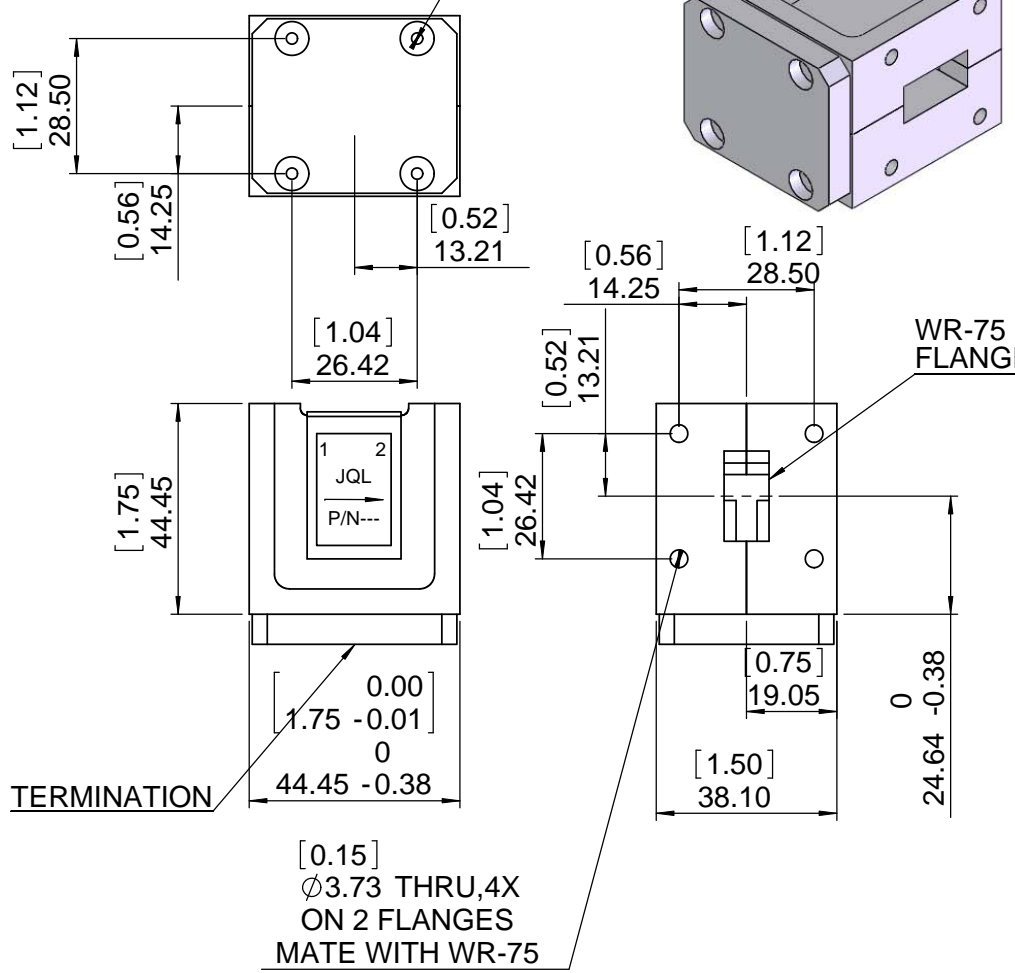
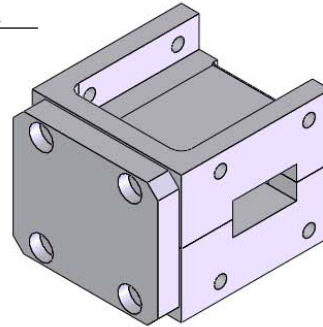
REV.	DESCRIPTION	REVISOR	DATE	APPROVE
0		MH	07.27.11	CH

**SPECIFICATIONS**

P/N: JIWR75F-14K25T14K75  
 Freq: 14.25~14.75GHz

Isolation: 25dB Min  
 Ins Loss: 0.20dB Max  
 Return Loss: 22dB Min  
 Pwr FWD/REV: 10W/5W  
 Temp: -30C~+75C

6-32 UNC-2B  
 THRU,4X



This document is the property of JQL Electronic Inc.  
 It cannot be copied, duplicated, used for manufacturing purposes  
 or communicated to third party as a whole or partly,  
 without the written consent of JQL Electronic Inc.

<b>JQL</b> JQL Electronic Inc		Tel : 1(888)236-9828	
		Fax: 1(630)823-2902	
PACKAGE CODE:	DWG NO.	1:1	
	JIWR75F-14K25T14K75		
SURFACE TREATMENT:	CHEM FILM	NAME	DATE
		MH	07.27.11
		FW	07.27.11
		CH	07.27.11
DESCRIPTION:	WAVEGUIDE ISOLATOR	APPVD BY:	SCALE:
			1:1
Unit: mm	TOLERANCE: Liner: ±0.1mm Angular: ±0.5°	Type Of Projection	A4

1 2 WEIGHT: SHEET 1 OF 1