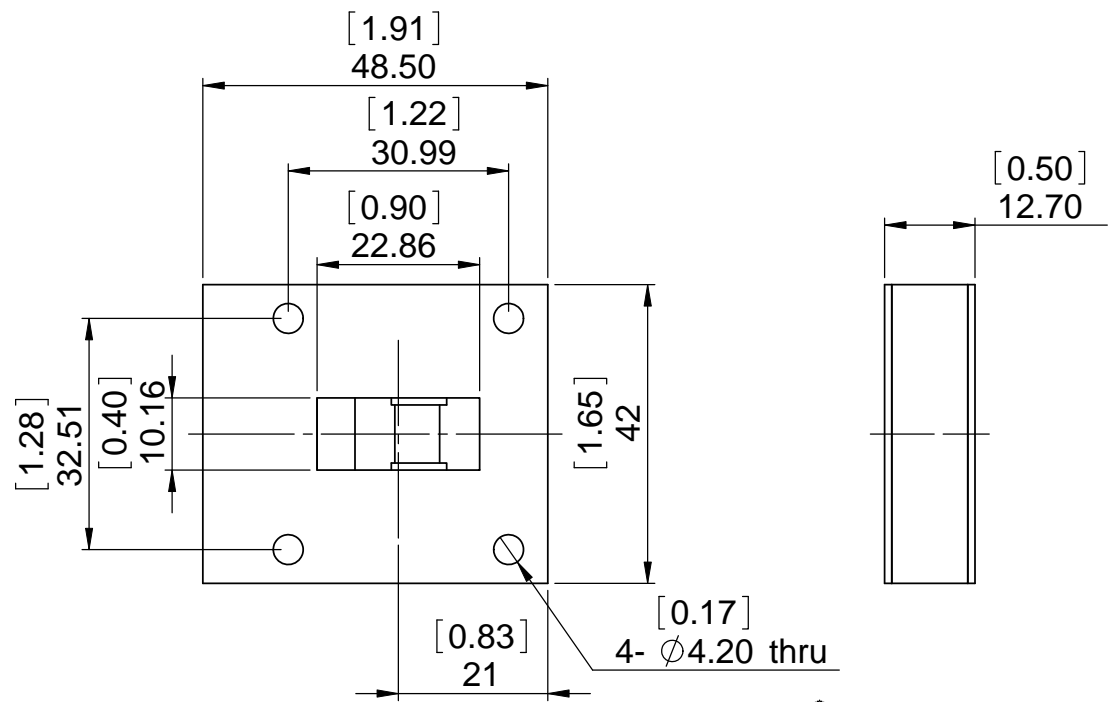


1 2 3 4 5 6

Stock Number

REV.	DESCRIPTION	REVISOR	DATE	APPROVE
0		SY	03.04.10	CH



**SPECIFICATIONS**

P/N: JIWR90-12D7-10K4T11K0  
 FREQ: 10.40~11.00GHz  
 ISOLATION: 23dB MIN  
 INS LOSS: 0.3dB MAX  
 VSWR: 1.20:1 MAX  
 PWR FWD/REV: 10W /5W  
 TEMP: -30C~+85C



This document is the property of JQL Electronic Inc. It cannot be copied, duplicated, used for manufacturing purposes or communicated to third party as a whole or partly, without the written consent of JQL Electronic Inc.

**JQL** JQL Electronic Inc

500 Lake Cook Road, Suite 350 Tel : 1(888)236-9828  
 Deerfield, IL 60015, USA Fax: 1(630)823-2902

MATERIAL:	DWG NO.		
SURFACE TREATMENT:	JIWR90-12D7-10K4T11K0		
DESCRIPTION:	NAME	DATE	SCALE:
	DWG BY:	03.04.10	1:1
	CHK'D BY:	FW	
APPV'D BY:	CH		
Unit: mm	TOLERANCE: Liner: ±0.1mm Angular: ±0.5°	Type Of Projection	A4

WEIGHT:

SHEET 1 OF 1

1 2 3 4 5 6