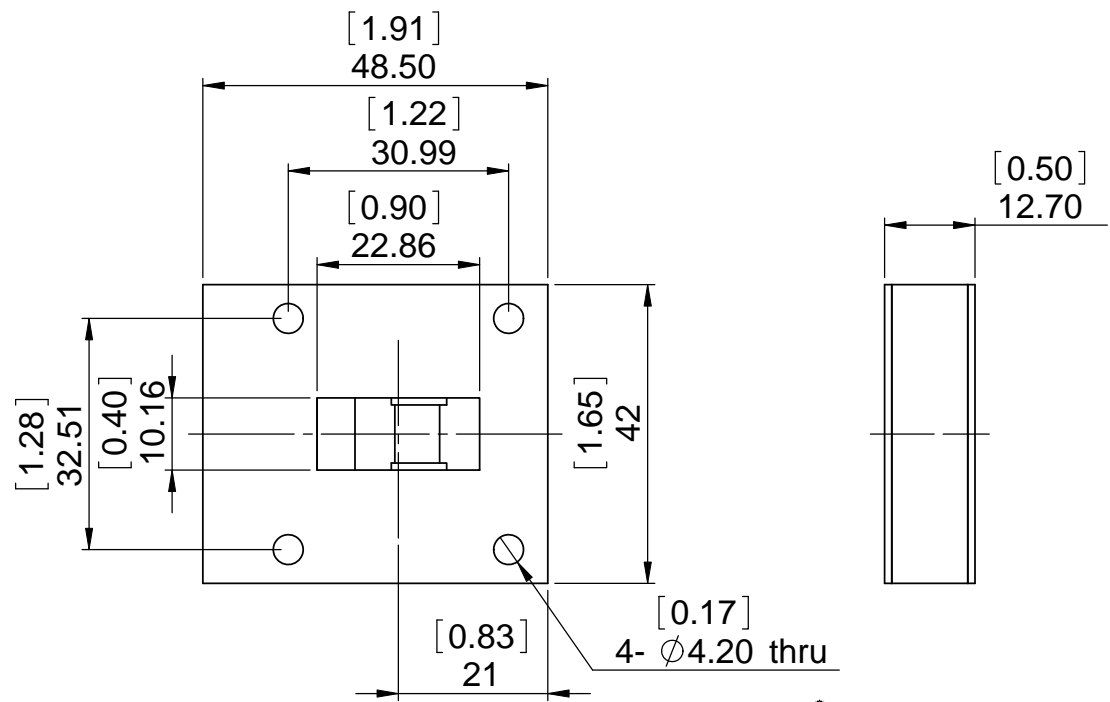


1 2 3 4 5 6

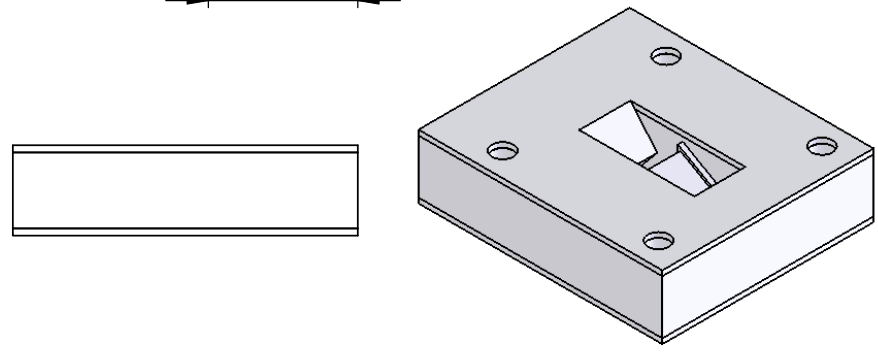
Stock Number

REV.	DESCRIPTION	REVISOR	DATE	APPROVE
0		SY	03.04.10	CH



SPECIFICATIONS

P/N: JIWR90-12D7-9000T10K0
 FREQ: 9.00~10.00GHz
 ISOLATION: 20dB MIN
 INS LOSS: 0.4dB MAX
 VSWR: 1.25:1 MAX
 PWR FWD/REV: 10W /5W
 TEMP: -30C~+85C



This document is the property of JQL Electronic Inc. It cannot be copied, duplicated, used for manufacturing purposes or communicated to third party as a whole or partly, without the written consent of JQL Electronic Inc.

JQL JQL Electronic Inc

500 Lake Cook Road, Suite 350 Tel : 1(888)236-9828
 Deerfield, IL 60015, USA Fax: 1(630)823-2902

MATERIAL:	DWG NO.		
SURFACE TREATMENT:	JIWR90-12D7-9000T10K0		
DESCRIPTION: WAVEGUIDE ISO	DWG BY:	NAME	DATE
	CHK'D BY:	FW	03.04.10
	APPVD BY:	CH	03.04.10
Unit: mm	TOLERANCE: Liner: ±0.1mm Angular: ±0.5°	Type Of Projection	SCALE: 1:1 A4

1 2 WEIGHT: SHEET 1 OF 1