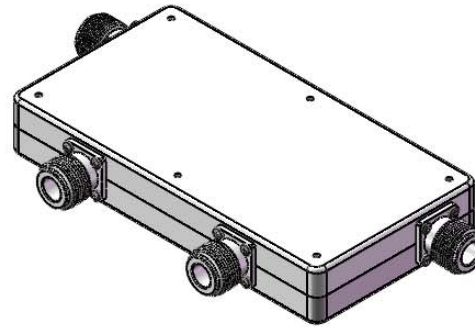
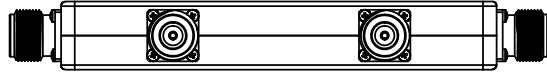


Document No. QR4-700-T-003

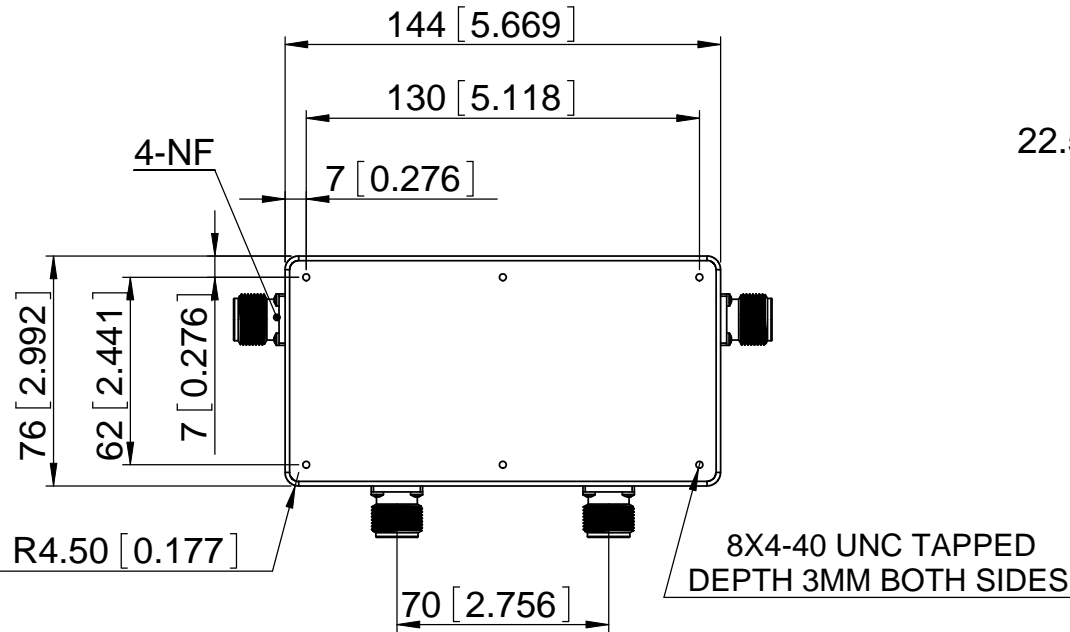
REV. A/0

REV.	DESCRIPTION	REVISOR	DATE	APPROVE
0		HM	12.18.12	CH



**SPECIFICATION**

Part's Number: JC2C0149T0155EN30  
 Frequency: 0.149~0.155GHz  
 Direction: CW  
 Insertion Loss: 0.5dB MAX PER JUNCTION  
 Isolation: 25dB MIN.PER JUNCTION  
 VSWR: 1.20:1 MIN.  
 POWER FWD/REV: 250W/250W  
 CONNECTOR: N-F  
 TEMPERATURE: -10°C~ +70°C



<b>JQL Electronic Inc</b>		500 Lake Cook Road, Suite 350 Deerfield, IL 60015, USA		Tel : 1(888)236-9828 Fax: 1(630)823-2902	
MATERIAL:	STEEL	DWG NO.		JC2C0149T0155EN30	
SURFACE TREATMENT:	NICKEL PLATING	DESCRIPTION:		COAX ISOCULATOR	
		DWG BY:	NAME	DATE	SCALE:
		CHK'D BY:	HM	12.18.12	1:2.5
		APPV'D BY:			
		Unit: mm[inch]	TOLERANCE:	Type Of Projection	A4
			Liner: ±0.1mm Angular: ±0.5°		



This document is the property of JQL Electronic Inc. It cannot be copied, duplicated, used for manufacturing purposes or communicated to third party as a whole or partly, without the written consent of JQL Electronic Inc.

WEIGHT:

SHEET 1 OF 1