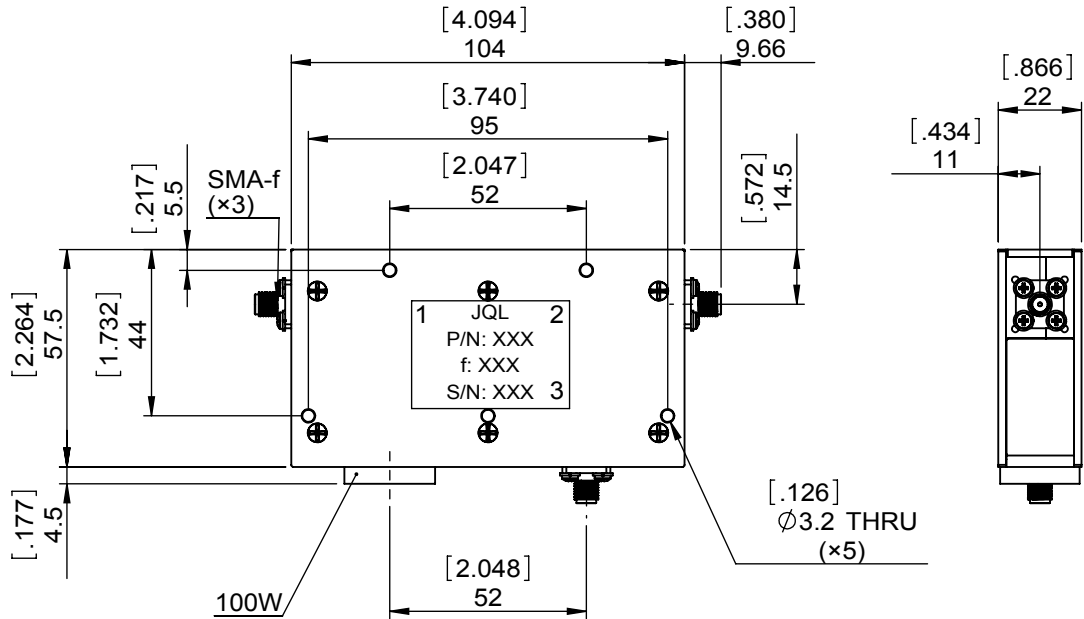
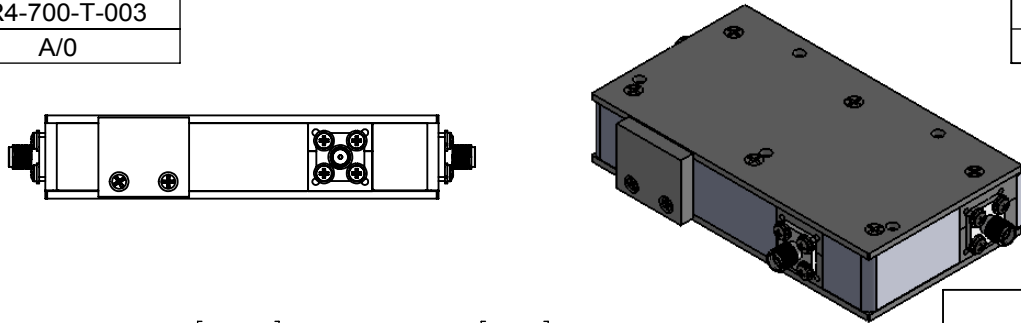


1		2		3		4		5		6	
Document No.	QR4-700-T-003	REV.	A/0	REV.	DESCRIPTION	REVISOR	DATE	APPROVED			
				0		LJ.Zhang	04.08.2014	David			



SPECIFICATIONS	
Part's Number	JC2C0410T0470S10
Frequency(GHz)	0.410~0.470
Direction	-
Insertion Loss(dB)MAX	0.45
Isolation(dB)MIN	45.0
Return Loss(dB)MIN	22.0
3rd IMD(dBc)MAX	-
Power FWD/REV/PK(Watt)	100/100/-
Operating Temperature(°C)	-30~+60
Storage Temperature(°C)	-
2nd/3rd Harmonic(dBc)	-
Termination/Attenuator(Watt/dB)	100
Tab(W×LG×THK)(mm[Inch])	-
Additional Notes	-

**JQL** JQL Electronic Inc 3501 Algonquin Road, Ste 230 Rolling Meadows, IL 60008 Tel: 1(888)236-9828 Fax: 1(888)823-2902

<b>MATERIAL:</b> STEEL	<b>DWG NO:</b> JC2C0410T0470S10			
<b>SURFACE TREATMENT:</b> NICKEL PLATING	DWG BY:	LJ.Zhang	04.08.2014	SACLE
	CHK'D BY:			
<b>DESCRIPTION:</b> DUAL COAXIAL CIRCULATOR	APPV'D BY:			1:2
	Unit:	Tolerance:	The First:	A4
	mm[inch]	Liner: ±0.25 Anguar: ±0.5°		



This document is the property of JQL Electronic Inc. It cannot be copied, duplicated, used for manufacturing purposes or communicated to third party as a whole or partly, without the written consent of JQL Electronic Inc.