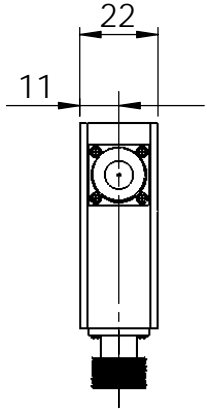
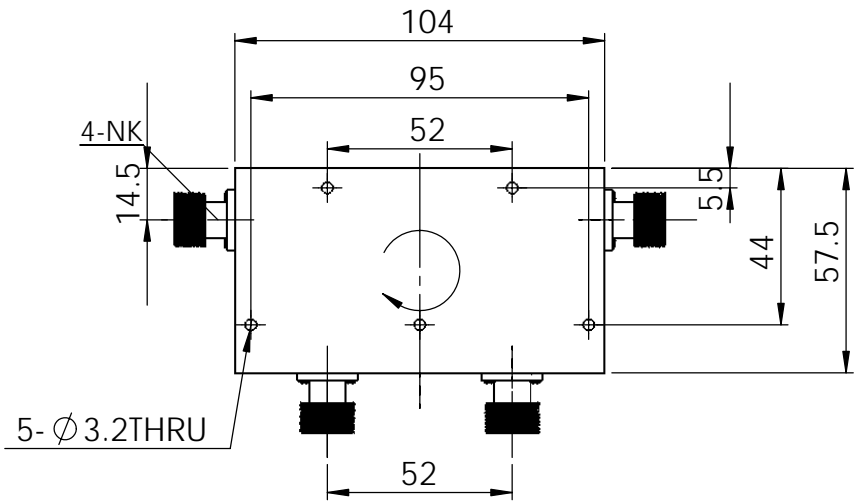


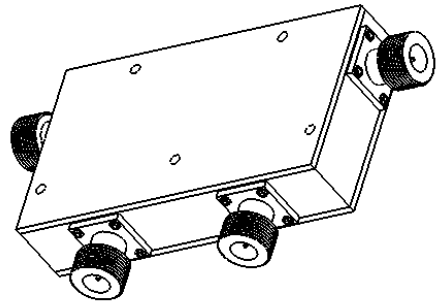
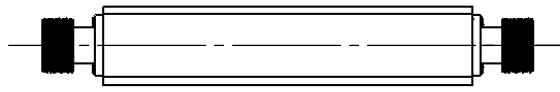
5		6		
REV.	DESCRIPTION	REVISOR	DATE	APPROVE



SPECIFICATIONS

P/N: JC2C0698T0806N2
 FREQ: 0.698~0.806GHz

ISOLATION: 23dB MIN/PER JUNCTION
 INS LOSS: 0.3dB MAX PER JUNCTION
 VSWR: 1.25:1 MAX
 PWR: 20W
 CONNECTOR: N-f
 TEMPERATURE OPERATING: -15~+60C
 STORAGE: -30C~+95C



This document is the property of JQL Electronic Inc. It cannot be copied, duplicated, used for manufacturing purposes or communicated to third party as a whole or partly, without the written consent of JQL Electronic Inc.

JQL JQL Electronic Inc

MATERIAL:	DWG NO. JC2C0698T0806N2			
SURFACE TREATMENT:	NICKLE PLATING			
DESCRIPTION:	UHF DUAL COAX CIR			
	NAME	DATE	SIGNATURE	REV:
DWG BY:				
CHK'D BY:				
APPV'D BY:				
	TOLERANCE Liner: ±0.1mm Angular: ±0.5°		Q.A	A4