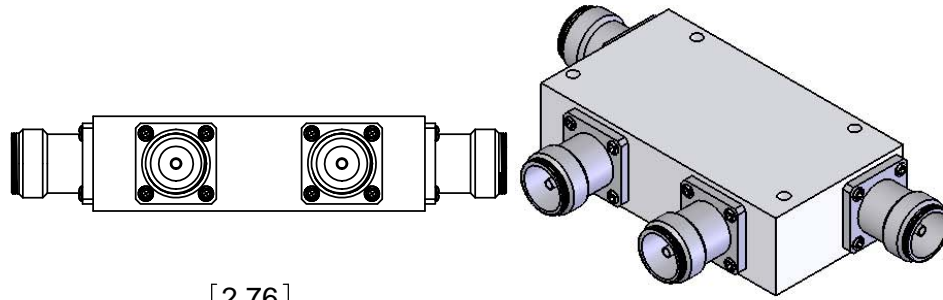


Stock Number

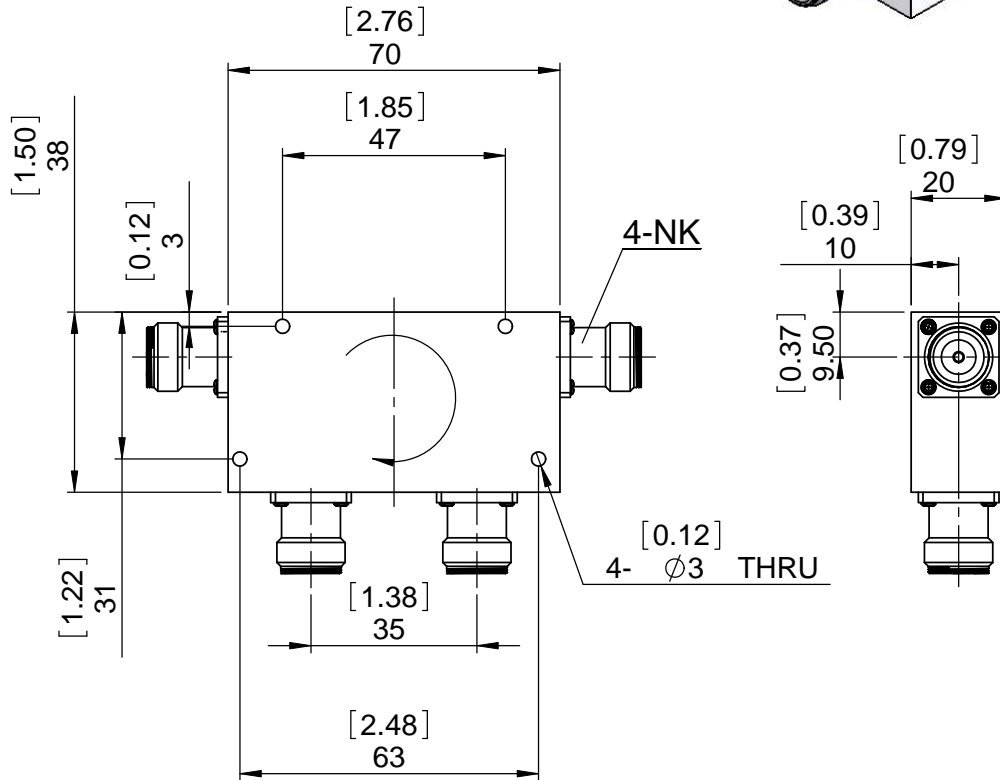
REV.	DESCRIPTION	REVISOR	DATE	APPROVE
0		MH	12.27.09	CH



SPECIFICATIONS

P/N: JC2C0927T0929N15
 FREQ: 0.927~0.929GHz

ISOLATION: 25dB MIN PER JUNCTION
 INS LOSS: 0.25dB MAX PER JUNCTION
 VSWR: 1.2:1 MAX
 PWR FWD/REV: 150W
 CIRCULATION: CW
 CONNECTOR: N-F
 TEMP: -40C~+85C



4-NK

4- Ø3 THRU



This document is the property of JQL Electronic Inc. It cannot be copied, duplicated, used for manufacturing purposes or communicated to third party as a whole or partly, without the written consent of JQL Electronic Inc.

JQL JQL Electronic Inc

MATERIAL:

DWG NO.

JC2C0927T0929N15

SURFACE TREATMENT:

NICKEL PLATING

DESCRIPTION:

DUAL CIRCULATOR

	NAME	DATE	SCALE:
DWG BY:	MH	12.27.09	1:1
CHK'D BY:	SY	12.27.09	
APPVD BY:	CH	12.27.09	
Unit: mm	TOLERANCE: Liner: ±0.1mm Angular: ±0.5°	Type Of Projection	A4

NOTE: SMA CONNECTOR OPTON IS AVAILABLE

WEIGHT:

SHEET 1 OF 1