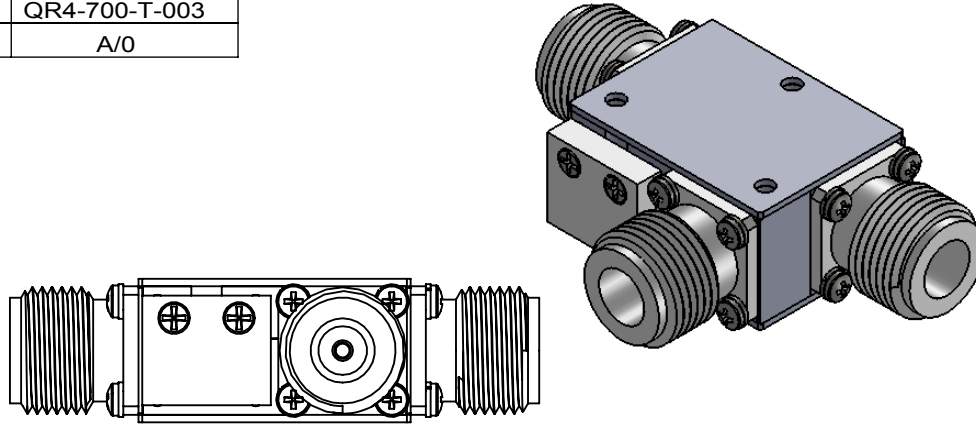
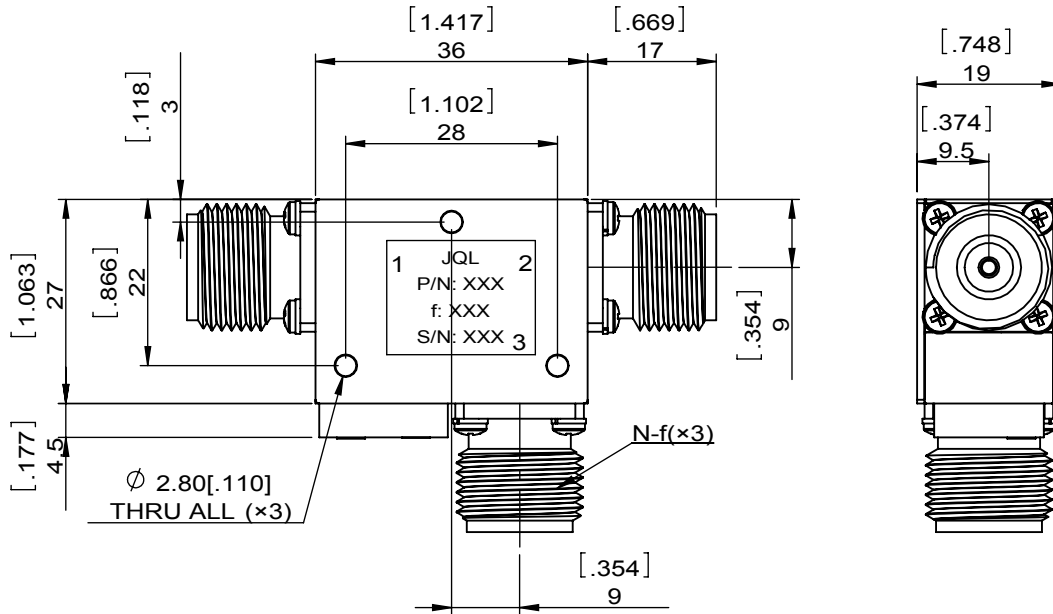


1	2
Document No.	QR4-700-T-003
REV.	A/0

3	4	5	6	
REV	DESCRIPTION	REVISOR	DATE	APPROVED
0		ZC.Wu	12.19.2014	David
1	Isolation spec. changed from 25.0 to 23.0	ZC.Wu	06.29.2015	David
2	Changed Insertion Loss and Isolation spec.	ZC.Wu	08.18.2015	David



SPECIFICATIONS	
Part's Number	JC2C5400T5900N30P
Frequency(GHz)	5.400~5.900
Direction	-
Insertion Loss(dB)MAX	P1→p2:0.50 P2→p3:0.25
Isolation(dB)MIN	P2→p1:50 P3→p2:23
Return Loss(dB)MIN	21.0
3rd IMD(dBc)MAX	-
Power FWD/REV/PK(Watt)	60/10/300
Operating Temperature(°C)	-35~+75
Storage Temperature(°C)	-
2nd/3rd Harmonic(dBc)	-
Termination/Attenuator(Watt/dB)	10
Tab(W×LG×THK)(mm[Inch])	-
Additional Notes	-



This document is the property of JQL Electronic Inc. It cannot be copied, duplicated, used for manufacturing purposes or communicated to third party as a whole or partly, without the written consent of JQL Electronic Inc.

JQL JQL Electronic Inc				
MATERIAL: STEEL		DWG NO: JC2C5400T5900N30P		
SURFACE TREATMENT: Nickel plating		DWG BY:	ZC.Wu	12.19.2014
DESCRIPTION: COAXIAL CIRCULATOR		CHK'D BY:		SCALE
		APPV'D BY:		1:1
Unit: mm[inch]	Tolerance: Liner: ±0.25 Anguar: ±0.5°	The First:		A4