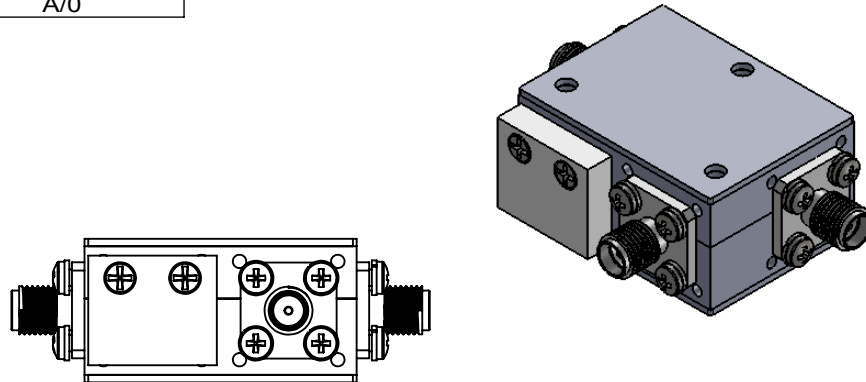
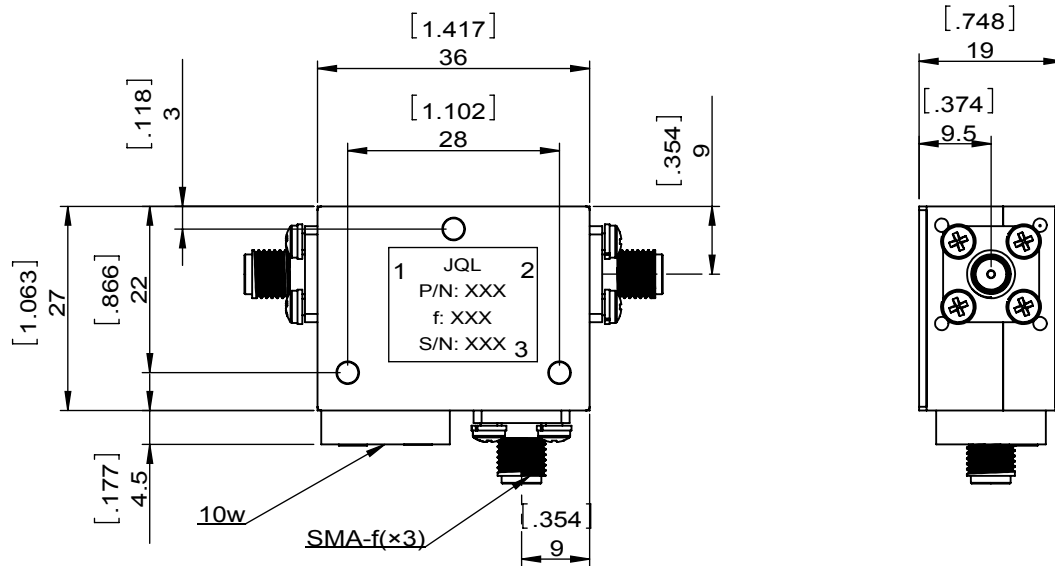


1	2
Document No.	QR4-700-T-003
REV.	A/0

4	5	6		
REV.	DESCRIPTION	REVISOR	DATE	APPROVED
0		ZC.Wu	07.17.2014	David



SPECIFICATIONS	
Part's Number	JC2C5850T5925S1
Frequency(GHz)	5.850~5.925
Direction	CW
Insertion Loss(dB)MAX	0.6
Isolation(dB)MIN	40
Return Loss(dB)MIN	20
3rd IMD(dBc)MAX	-
Power FWD/REV/PK(Watt)	1/1
Operating Temperature(°C)	-40~+85
Storage Temperature(°C)	-
2nd/3rd Harmonic(dBc)	-
Termination/Attenuator(Watt/dB)	10
Tab(W×LG×THK)(mm[Inch])	-
Additional Notes	-



This document is the property of JQL Electronic Inc. It cannot be copied, duplicated, used for manufacturing purposes or communicated to third party as a whole or partly, without the written consent of JQL Electronic Inc.

JQL JQL Electronic Inc				
MATERIAL: STEEL		DWG NO: JC2C5850T5925S1		
SURFACE TREATMENT: Nickel plating		DWG BY:	ZC.Wu	07.17.2014
DESCRIPTION: COAXIAL CIRCULATOR		CHK'D BY:		SCALE
		APP'V'D BY:		1:1
Unit: mm[inch]		Tolerance: Liner: ±0.25 Anguar: ±0.5°	The First:	
				A4