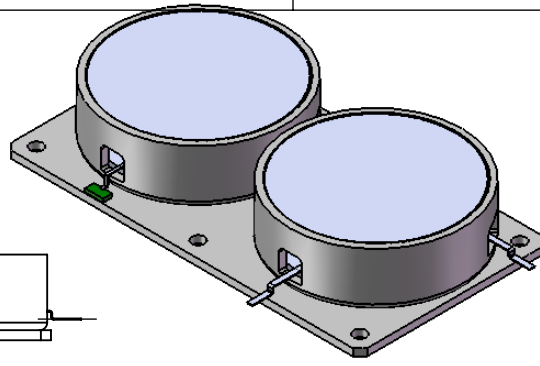


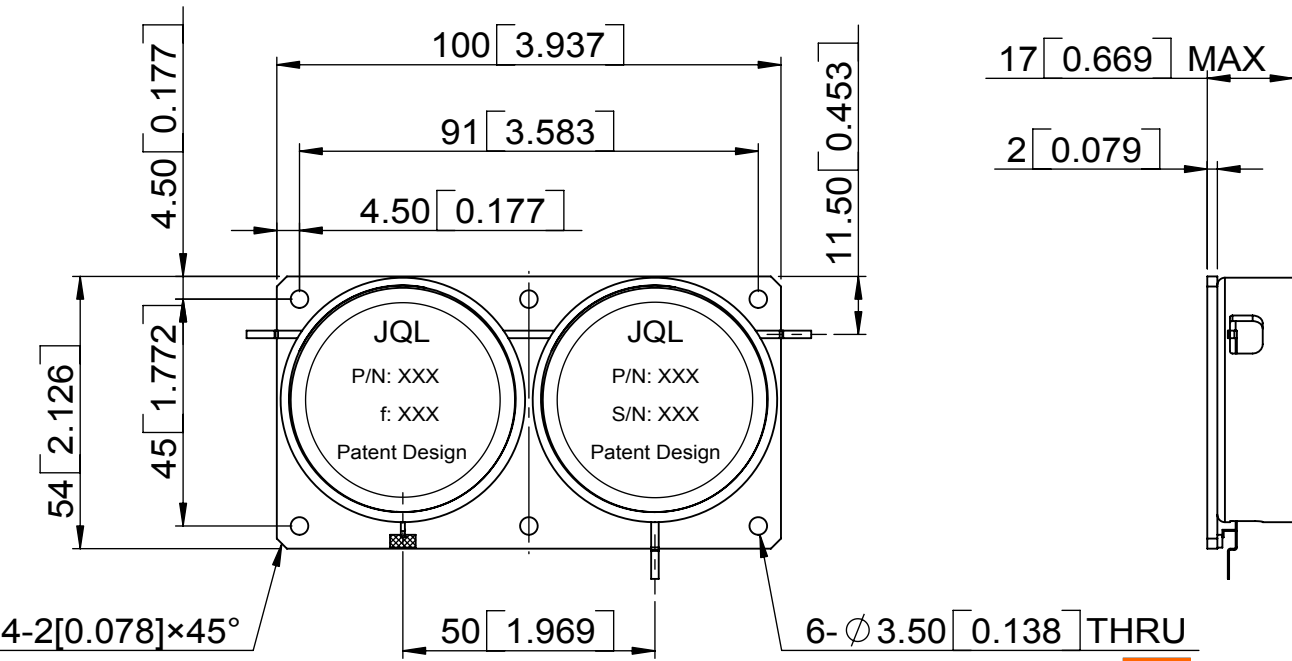
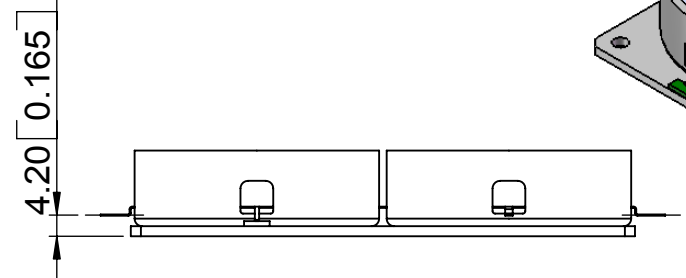
Document No. QR4-700-T-003  
 REV. A/0

REV.	DESCRIPTION	REVISOR	DATE	APPROVE
0		ZLJ	08.31.12	CH



**SPECIFICATION**

Part's Number: JC2D0375T0400UM8  
 Frequency: 0.375 ~ 0.400GHz  
 Direction : CW  
 Insertion Loss: 0.45dB MAX.@ 25°C  
 0.50dB MAX.@ (0°C~+50°C)  
 Isolation: 50dB MIN.@ 25°C  
 48dB MIN.@(0°C~+50°C)  
 Return Loss: 20dB MIN.@(0°C~+50°C)  
 Power FWD/REV : 250W /80W  
 Termination: 100W  
 Temperature: -10°C~55°C  
 Body: Steel,Nickel Plated  
 Tabs: Brass Silver Plated  
 1.5W X 6LG X 0.25THK



This document is the property of JQL Electronic Inc.  
 It cannot be copied, duplicated, used for manufacturing purposes  
 or communicated to third party as a whole or partly,  
 without the written consent of JQL Electronic Inc.

**JQL** JQL Electronic Inc

500 Lake Cook Road, Suite 350 Tel : 1(888)236-9828  
 Deerfield, IL 60015, USA Fax: 1(630)823-2902

PACKAGE CODE:  
 SURFACE TREATMENT:  
**Nickel Plating**  
 DESCRIPTION:  
**Drop-In circulator**

DWG NO.		SCALE:	
<b>JC2D0375T0400UM8</b>			
DWG BY:	NAME	DATE	SCALE:
CHK'D BY:	<b>ZLJ</b>	<b>08.31.12</b>	
APPV'D BY:			
Unit: mm[Inch]	TOLERANCE: Liner: ±0.1mm Angular: ±0.5°	Type Of Projection	

WEIGHT: