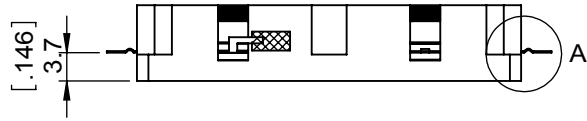
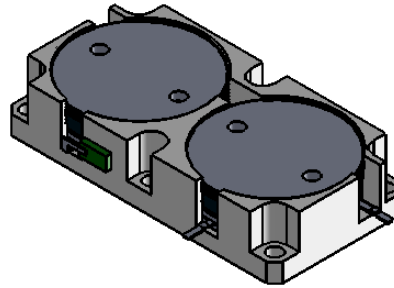
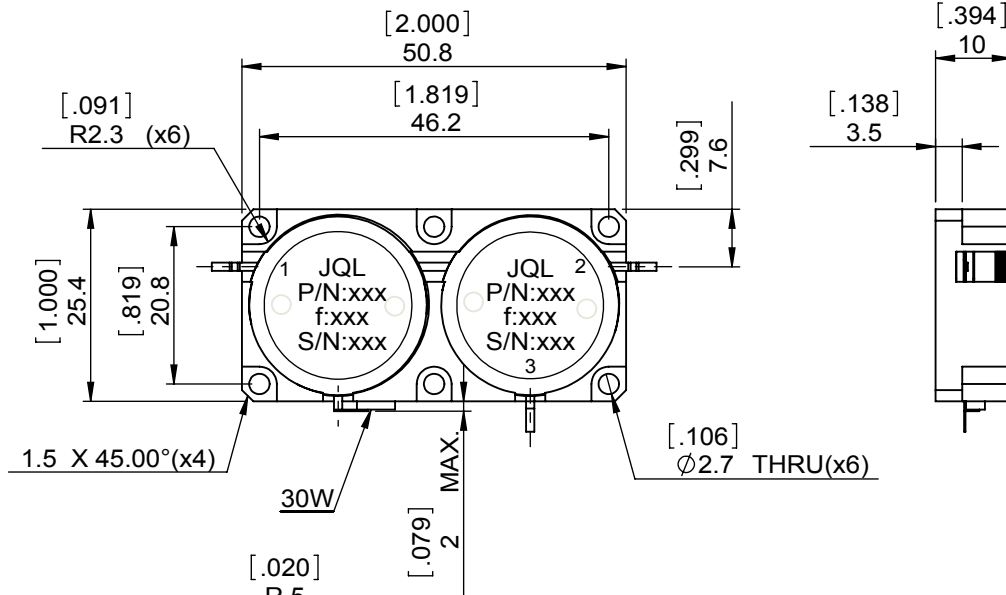


1		2		3		4		5		6	
Document No.	QR4-700-T-003	REV.	A/0	REV.	DESCRIPTION	REVISOR	DATE	APPROVED			
		0		M.Hao	11.20.2013	David					



SPECIFICATIONS	
Part's Number	JC2D2545T2645T1M5
Frequency(MHz)	2545~2645
Direction	CW
Insertion Loss(dB)MAX	0.25 PER JUNCTION
Isolation(dB)MIN	20.0 PER JUNCTION
Return Loss(dB)MIN	20.0
3rd IMD(dBc)MAX	70
Power FWD/REV/PK(Watt)	50/50/-
Operating Temperature(°C)	-20~+85
Storage Temperature(°C)	-
2nd/3rd Harmonic(dBc)	-
Termination/Attenuator(Watt/dB)	30
Tab(W×LG×THK)(mm[Inch])	1.1[0.043]×4.0[0.157]×0.2[0.008]
Additional Notes	-



DETAIL A
SCALE 2 : 1



This document is the property of JQL Electronic Inc. It cannot be copied, duplicated, used for manufacturing purposes or communicated to third party as a whole or partly, without the written consent of JQL Electronic Inc.

JQL **JQL Electronic Inc** 500 Lake Cook Road, Suite 350 Deerfield, IL 60015, USA Tel: 1(888)236-9828 Fax: 1(888)823-2902

MATERIAL: STEEL	DWG NO: JC2D2545T2645T1M5			
SURFACE TREATMENT: NICKEL PLATING	DWG BY:	M.Hao	11.20.2013	SACLE
DESCRIPTION: DROP IN CIRCULATOR	CHK'D BY:			
	APPV'D BY:			1:1
	Unit: mm[inch]	Tolerance: Liner: ±0.25 Anguar: ±0.5°	The First:	A4