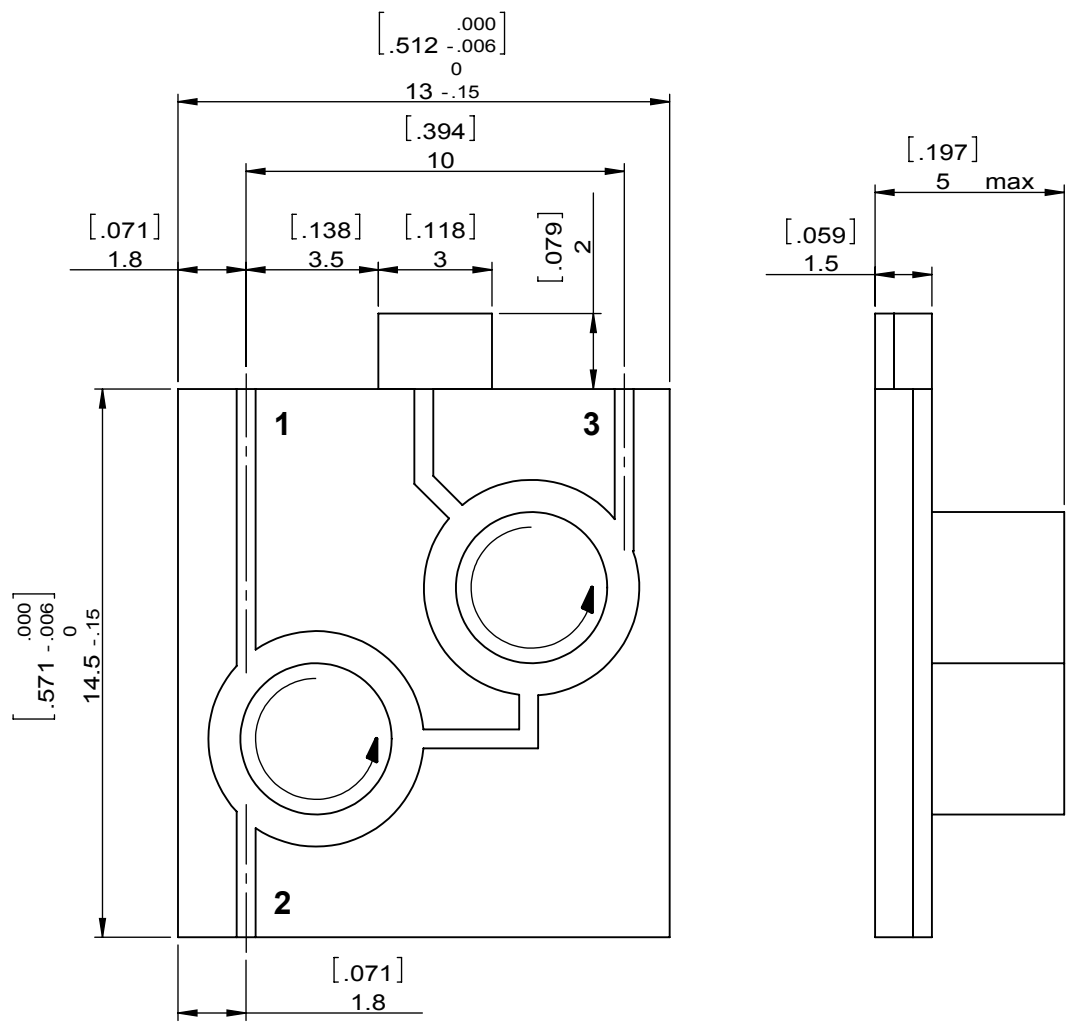


1		2		3		4		5		6	
Document No. QR4-700-T-003				REV. 0		DESCRIPTION		REVISOR YQ.XIE		DATE 09.22.2015	
REV. A/0										APPROVED David	



SPECIFICATIONS	
Part's Number	JC2S5200T5800G1R
Frequency(GHz)	5.200~5.800
Direction	
Insertion Loss(dB)MAX	0.4(1->2); 0.8(2->3)
Isolation(dB)MIN	18(2->1); 30(3->2)
Return Loss(dB)MIN	17.7
3rd IMD(dBc)MAX	
Power FWD/REV/PK(Watt)	10/10/-
Operating Temperature(°C)	-40~+85
Storage Temperature(°C)	
2nd/3rd Harmonic(dBc)	
Termination/Attenuator(Watt/dB)	10
Tab(W×LG×THK)(mm[Inch])	
Additional Notes	GWB

JQL JQL Electronic Inc				
MATERIAL: -		DWG NO: JC2S5200T5800G1R		
SURFACE TREATMENT: -		DWG BY:	YQ.XIE	09.22.2015
DESCRIPTION: MICROSTRIP ISOLATEOR		CHK'D BY:		SCALE
		APPV'D BY:		4:1
Unit:	Tolerance:	The First:		A4
mm[inch]	Liner: ±0.25 Anguar: ±0.5°			

RoHS COMPLIANCE
 This document is the property of JQL Electronic Inc. It cannot be copied, duplicated, used for manufacturing purposes or communicated to third party as a whole or partly, without the written consent of JQL Electronic Inc.