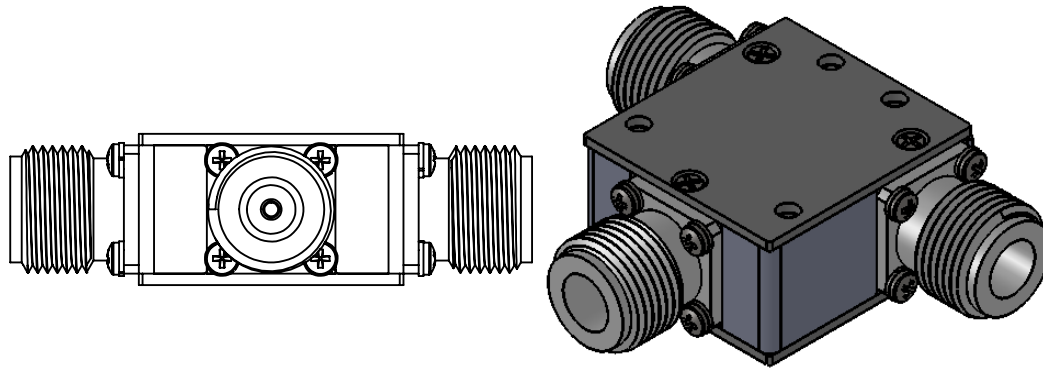
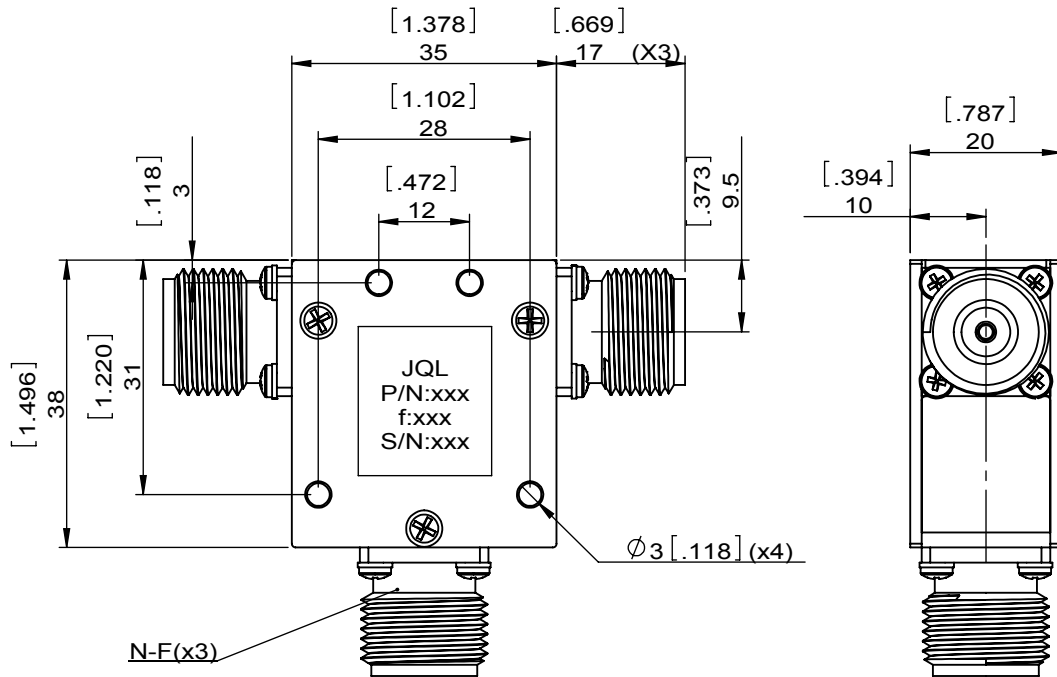


1		2		3		4		5		6	
Document No. QR4-700-T-003								REV. DESCRIPTION REVISOR DATE APPROVED			
REV. A/0								0		ZC.Wu 08.25.2015 David	



SPECIFICATIONS	
Part's Number	JCC0698T0960N10
Frequency(GHz)	0.698~0.960
Direction	CW
Insertion Loss(dB)MAX	0.70
Isolation(dB)MIN	17.0
Return Loss(dB)MIN	15.6
3rd IMD(dBc)MAX	-
Power FWD/REV/PK(Watt)	100/100/-
Operating Temperature(°C)	-30~+75
Storage Temperature(°C)	-
2nd/3rd Harmonic(dBc)	-
Termination/Attenuator(Watt/dB)	-
Tab(W×LG×THK)(mm[Inch])	-
Additional Notes	-



This document is the property of JQL Electronic Inc. It cannot be copied, duplicated, used for manufacturing purposes or communicated to third party as a whole or partly, without the written consent of JQL Electronic Inc.

JQL JQL Electronic Inc				
MATERIAL: STEEL		DWG NO: JCC0698T0960N10		
SURFACE TREATMENT: NICKEL PLATING		DWG BY:	ZC.Wu	08.25.2015
DESCRIPTION: COAX CIRCULATOR		CHK'D BY:		SCALE
		APPV'D BY:		1:1
Unit: mm[inch]	Tolerance: Liner: ±0.25 Anguar: ±0.5°	The First:		A4