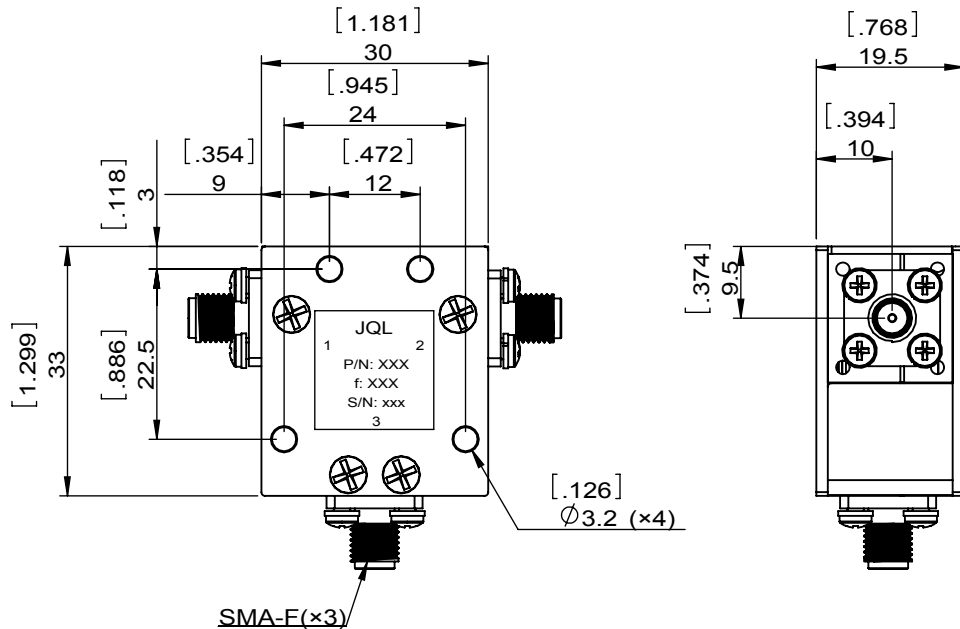
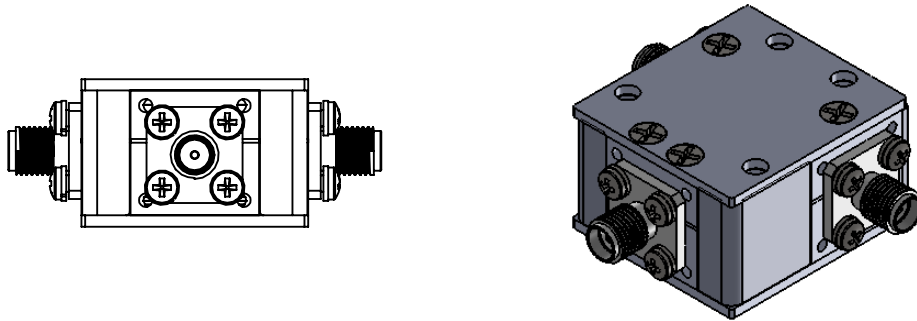


1		2		3		4		5		6		
Document No.		QR4-700-T-003		REV.		A/0		REV.	DESCRIPTION	REVISOR	DATE	APPROVED
								0		ZC.Wu	01.25.2016	David



SPECIFICATIONS	
Part's Number	JCC1000T1500S1
Frequency(GHz)	1.000~1.500
Direction	
Insertion Loss(dB)MAX	0.6
Isolation(dB)MIN	15.0
Return Loss(dB)MIN	15.0
3rd IMD(dBc)MAX	-
Power FWD/REV/PK(Watt)	10/10/-
Operating Temperature(°C)	-30~+70
Storage Temperature(°C)	-
2nd/3rd Harmonic(dBc)	-
Termination/Attenuator(Watt/dB)	-
Tab(W×LG×THK)(mm[Inch])	-
Additional Notes	-

<b>JQL</b> JQL Electronic Inc				
<b>MATERIAL:</b> STEEL		<b>DWG NO:</b> JCC1000T1500S1		
<b>SURFACE TREATMENT:</b> NICKEL PLATING		DWG BY:	ZC.Wu	01.25.2016
<b>DESCRIPTION:</b> COAXIAL CIRCULATOR		CHK'D BY:		SCALE
		APPV'D BY:		1:1
		Unit: mm[inch]	Tolerance: Liner: ±0.25 Anguar: ±0.5°	The First: 
				A4



This document is the property of JQL Electronic Inc. It cannot be copied, duplicated, used for manufacturing purposes or communicated to third party as a whole or partly, without the written consent of JQL Electronic Inc.