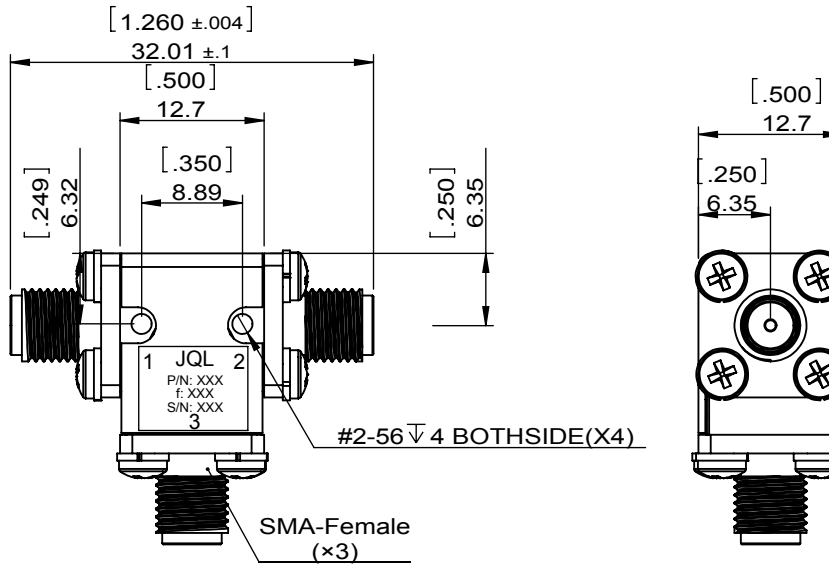
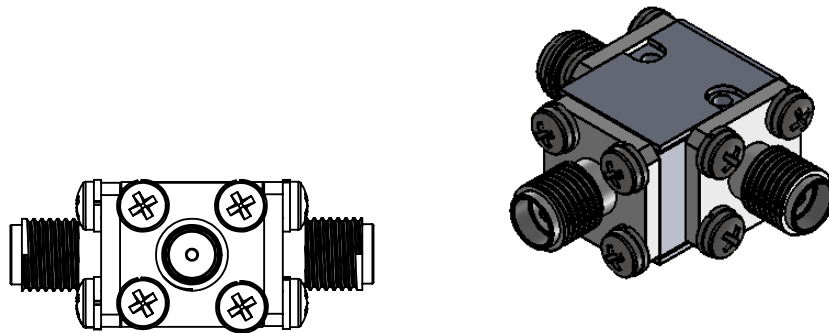


1		2		3		4		5		6	
Document No.		QR4-700-T-003		REV.		0		DESCRIPTION		APPROVED	
REV.		A/0						REVISOR		DATE	
								ZC.Wu		03.23.2015	
										David	



SPECIFICATIONS	
Part's Number	JCC10K0T12K8S0
Frequency(GHz)	10.000~12.800
Direction	-
Insertion Loss(dB)MAX	0.40
Isolation(dB)MIN	20.0
Return Loss(dB)MIN	20.0
3rd IMD(dBc)MAX	-
Power FWD/REV/PK(Watt)	1/1/-
Operating Temperature(°C)	-40~+85
Storage Temperature(°C)	-
2nd/3rd Harmonic(dBc)	-
Termination/Attenuator(Watt/dB)	-
Tab(W×LG×THK)(mm[Inch])	-
Additional Notes	Connector:SMA-Female

JQL JQL Electronic Inc				
MATERIAL: STEEL		DWG NO: JCC10K0T12K8S0		
SURFACE TREATMENT: NICKEL PLATING		DWG BY:	ZC.Wu	03.23.2015
DESCRIPTION: COAXIAL CIRCULATOR		CHK'D BY:		SCALE
		APPV'D BY:		3:2
		Unit: mm[inch]	Tolerance: Liner: ±0.25 Anguar: ±0.5°	The First:
				A4



This document is the property of JQL Electronic Inc. It cannot be copied, duplicated, used for manufacturing purposes or communicated to third party as a whole or partly, without the written consent of JQL Electronic Inc.